

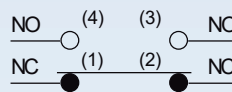


CWL Limit Switch

Features

- Double-circuit type of limit switch, is widely used
- With strong aluminum cast outer shell
- High mechanical strength
- Water-proof, oil-proof construction
- Structure preventing oil, water and pressure
- Indicating plate with setting position is installed in it, so it is easy to maintain
- Various of actuators is taken convenience for using
- Built-in contact stand has double-spring, so it has long mechanical life

Contact Form



Ratings

Rated voltage	Noninductive Load (A)				Inductive Load (A)			
	Resistance Load		Lamp Load		Inductive Load		Motor Load	
	NC	NO	NC	NO	NC	NO	NC	NO
125VAC	10		3	1.5	10		5	2.0
250VAC	5		2	1	5		3	1.0
480VAC	3		1.5	0.8	3		1.5	0.8
600VAC	1		1	0.5	1.5		1	0.5
8VDC	10		6	3	10		6	
14VDC	10		6	3	10		6	
30VDC	6		4	3	6		4	
125VDC	0.8		0.2	0.2	0.8		0.2	
250VDC	0.4		0.1	0.1	0.4		0.1	

NOTES:

1. Inductive load has a power factor of 0.4 min.(AC) and a time constant of 7 msec.max.(DC).
2. Lamp load has an inrush current of 10 times the steady-state current, while motor load has an inrush current of 6 times the steady-state current.

Operating characteristics

Models	CWLCA2-2	CWLD2	CWLNJ	CWLNJ-S2	CWLCA12-2Q	CWLCL	CWLCA32-41	CWLD	CWLNJ-2	CWLNJ-30	CWLD1	CWLD3
OF Max.	1360g	2720g	150g	29g	1360g	142g	1200g	2720g	120g	80g	2720g	2720g
RF Min.	227g	910g	-	-	227g	28g	-	910g	-	-	910g	910g
PT Max.	20°	1.7mm	28mm	28mm	20°	20°	55°	1.7mm	28mm	28mm	1.7mm	1.7mm
OT Min.	30°	5.6mm	-	-	30°	30°	35°	6.4mm	-	-	5.6mm	5.6mm
MD Max.	12°	1mm	-	-	12°	12°	-	1mm	-	-	1mm	1mm
TF Max.	2720g	-	-	-	2720g	200g	-	-	-	-	2720g	2720g
TT Min.	50°	6.5 ± 0.8mm	-	-	50°	50°	OP:90 ± 10°	OP:34 ± 2.8mm	-	-	6.5 ± 0.8mm	9 ± 0.8mm

Characteristics

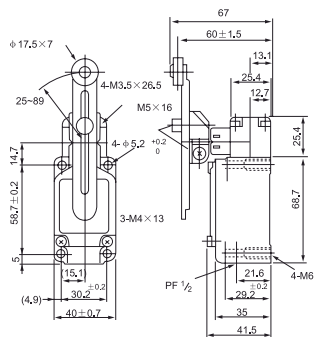
Operation speed	1mm-2m/s
Operating frequency	Mechanical: 120 operations/minute Electrical: 30 operations/minute
Contact resistance	15m Ω max. (initial value)
Insulation resistance	100m Ω above (at 500VDC)
Dielectric strength	1000VAC, 50/60 HZ for 1 minute between terminals of the same polarity
	1500VAC, 50/60 HZ for 1 minute between current-carrying and non-current-carrying metal parts
	1500VAC, 50/60 HZ for 1 minute between each terminal and ground
Vibration	10-55HZ, 1.5mm double amplitude
Shock	Mechanical durable: 1, 000m/Sec ² (about 100G'S)
	Malfunction: 300m/Sec ² (about 30G'S)
Ambient temperature	-10℃ to +80℃
Humidity	<95% RH
Life	Mechanical: 15,000,000 operations above (under rated OT)
	Electrical: 500,000 operations above
Weight	About 275g
Degree of protection	IP67

CWL Limit Switch

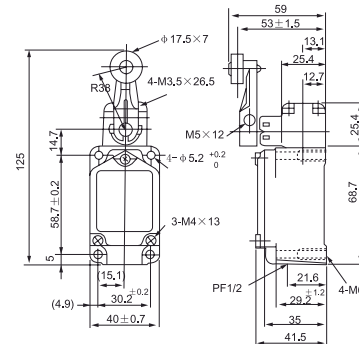
Appearance and dimension



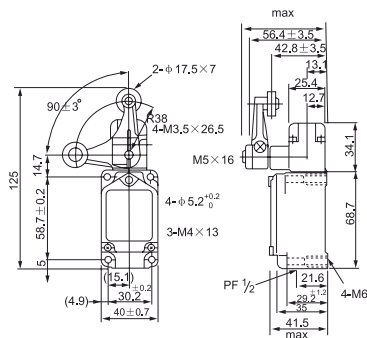
CWLCA2-2



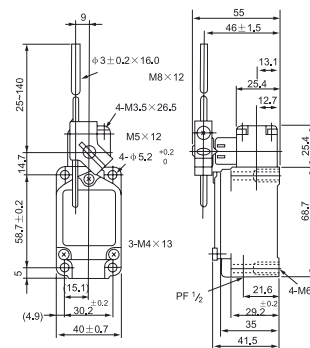
CWLCA12-2-Q



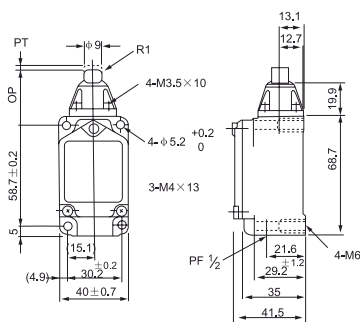
CWLCA32-41



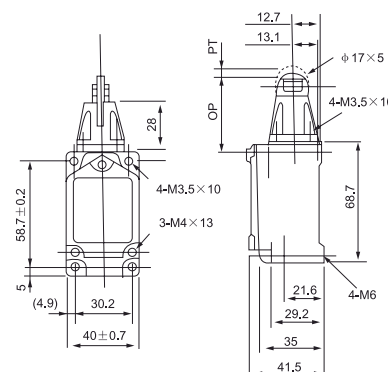
CWLCL



CWLD



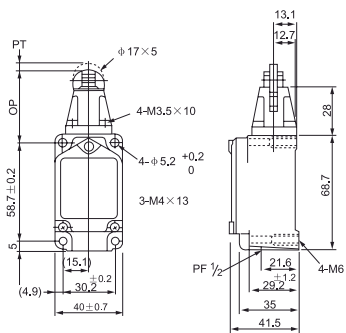
CWLD1



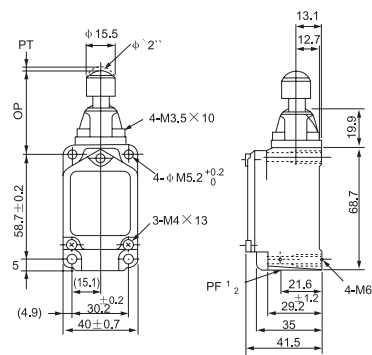
CWL Limit Switch



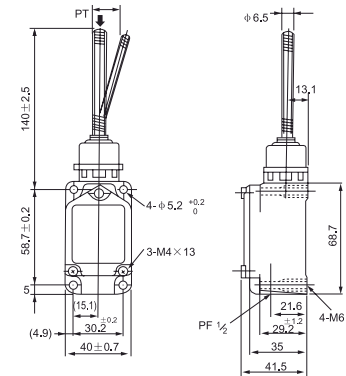
CWLD2



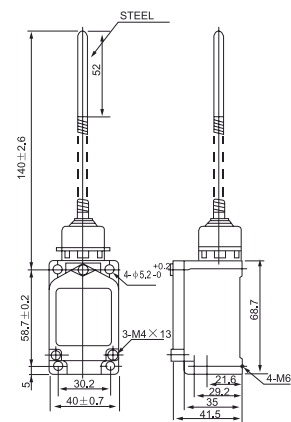
CWLD3



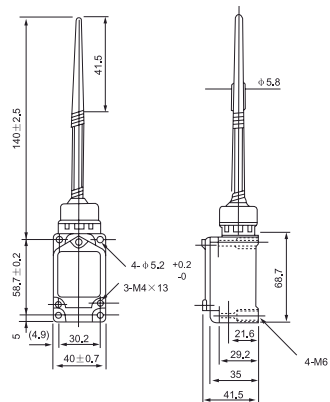
CWLNJ



CWLNJ-30



CWLNJ-2



CWLNJ-S2

