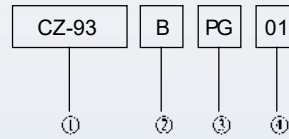


CZ-93 Safety Key Interlock Switch



Model designations



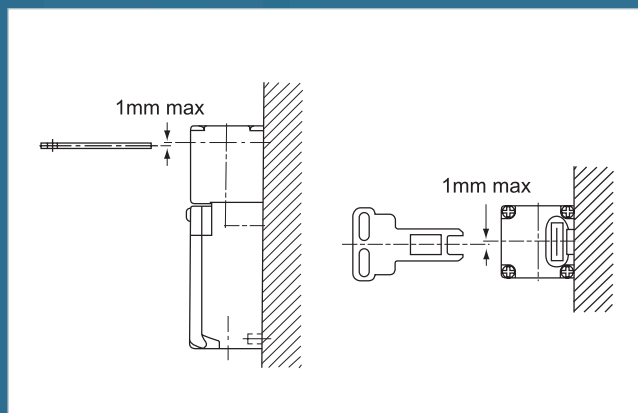
Designation	Signal	Description
1.Type	CZ-93	Safety switch
2.Type of contact blocks fitted	B	2B(2NC)
	C	1A1B(NO-NC)
3.Conduit entries	PG	PG 13.5XP1.5
	PT	PT1/2X14UNC
4.Actuating keys	None	None
	01	Horizontal
	02	Vertical
	03	Adjustable

Ratings

Rated voltage	Noninductive load (A)				Inductive load (A)			
	Resistance load		Lamp load		Inductive load		Motor load	
	NC	NO	NC	NO	NC	NO	NC	NO
125 VAC	10	3	1.5	10	5	2.5		
250 VAC	10	2	1	10	3	1.5		
400 VAC	10	1.5	0.8	3	1.5	0.8		
8 VDC	10	6	3	10	6	6		
14 VDC	10	6	3	10	6	6		
30 VDC	6	4	3	6	4	4		
125 VDC	0.8	0.2	0.2	0.8	0.2	0.2		
250 VDC	0.4	0.1	0.1	0.4	0.1	0.1		

Use attention affair

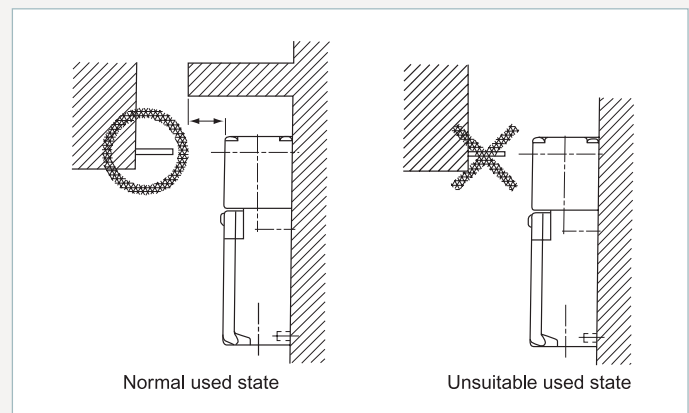
To prevent the wear and the space should be within 1mm between the key and middle of the insert hole.



Characteristics

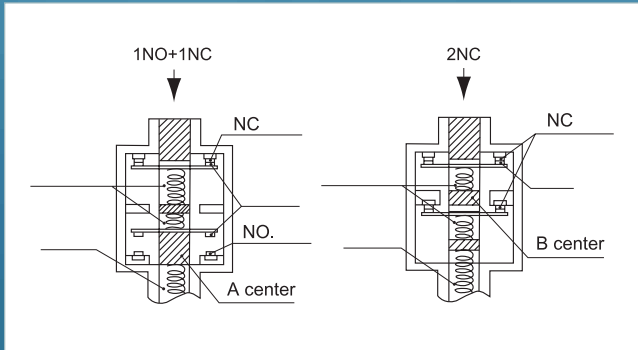
Rating	3A 240VAC (A300)
Operating speed	0.1m ~0.5m/s
Operating frequency	30 operations/minute
Contact resistance	25m Ω max. (initial).
Insulation resistance	100m Ω min. (at 500VDC)
Rated insulation voltage(Ui)	400V
Dielectric strength	AC2500V/Umip 4KV
Vibration	10 to 55Hz, 0.65mm double amplitude
Shock	Mechanical: Approx. 1000m/s ² (Approx. 100G'S)
	Electrical: Approx. 300m/s ² (Approx. 30G'S)
Ambient temperature	-30°C ~+70°C
Ambient Humidity	Blow 95RH
Life	Mechanical: 10,000,000 operations/min.
	Electrical: 150,000 operations/min.
Degree of protection	IP65(EN60947-5-1)
Short-circuit protective device	10A fuse
Weight	Approx. 76g

When in use, there should put a plate on the top to prevent the key overinsert. To prevent nonmovement, the space between the plate and the switch should be under 3 mm.



CZ-93 Safety Key Interlock Switch

Required to have positive machine

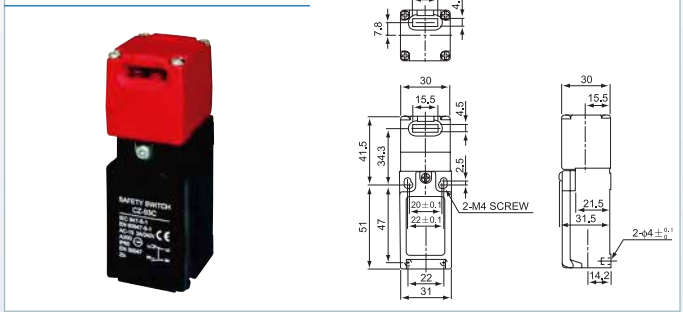


When the contact block get fire,press on the middle of the key structure, the NC strict leaving structure can push the contact block a way cut off the movement.

Appearance and dimension

Appearance and dimension

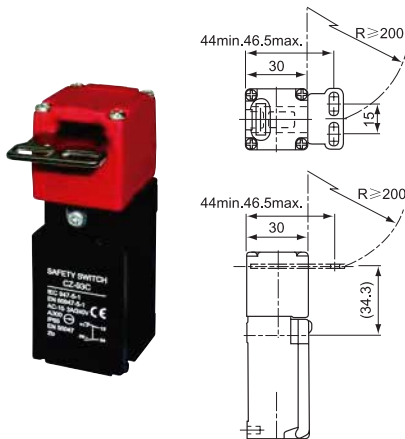
CZ-93BPG BPT CPG CPT



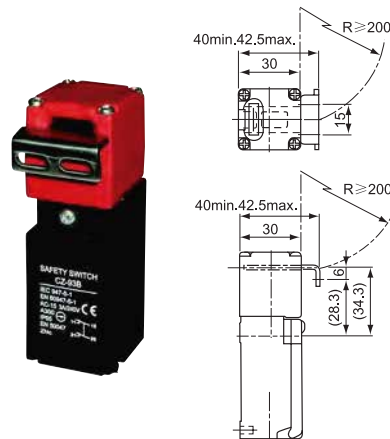
Operating characteristics

Key plug in force	max.	147.N(1,500gf)
key pull out force	max.	29.42N(3,000gf)
Pretravel		6 ± 3mm
Total travel		(28mm)
Force required to have positive	min.	58.84N(6,000gf)
Positive opening travel	min.	10mm

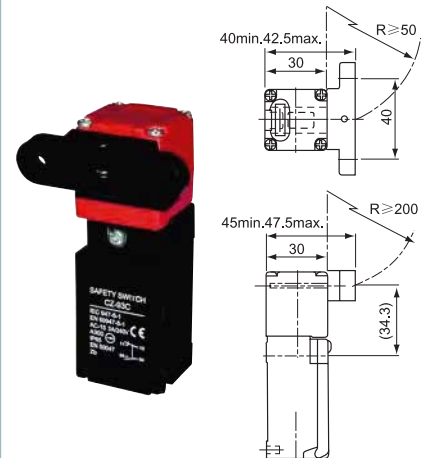
CZ-93BPG01 BPT01 CPG01 CPT01



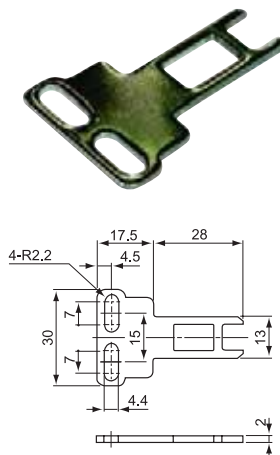
CZ-93BPG02 BPT02 CPG02 CPT02



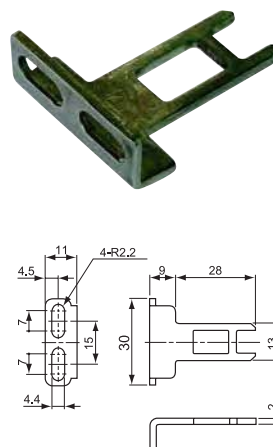
CZ-93BPG03 BPT03 CPG03 CPT03



CZ93-K1



CZ93-K2



CZ93-K3

