



Pushing Performance



*Weniger Gewicht ✓  
Robustes Gehäuse ✓  
Höhere Kontaktstärke ✓*



People | Power | Partnership

## HARTING Han-Eco<sup>®</sup> Series

---

# Transforming customer wishes into concrete solutions



The HARTING Technology Group is skilled in the fields of electrical, electronic and optical connection, transmission and networking, as well as in manufacturing, mechatronics and software creation. The Group uses these skills to develop customized solutions and products such as connectors for energy and data transmission applications including, for example, mechanical engineering, rail technology, wind energy plants, factory automation and the telecommunications sector. In addition, HARTING also produces electro-magnetic components for the automobile industry and offers solutions in the field of Enclosures and Shop Systems.

The HARTING Group currently comprises 51 sales companies and production plants worldwide employing a total of about 4,200 staff.



HARTING Subsidiary company



HARTING Representatives

### **We aspire to top performance.**

Connectors ensure functionality. As core elements of electrical and optical wiring, connection and infrastructure technologies, they are essential in enabling the modular construction of devices, machines and systems across a very wide range of industrial applications. Their reliability is a crucial factor guaranteeing smooth functioning in the manufacturing area, in telecommunications, applications in medical technology – in fact, connectors are at work in virtually every conceivable application area. Thanks to the consistent further development of our technologies, customers enjoy investment security and benefit from durable, long term functionality.

### **Always at hand, wherever our customers may be.**

Increasing industrialization is creating growing markets characterized by widely diverging demands and requirements. The search for perfection, increasingly efficient processes and reliable technologies is a common factor in all sectors across the globe.

HARTING is providing these technologies – in Europe, America and Asia. The HARTING professionals at our international subsidiaries engage in close, partnership based interaction with our customers, right from the very early product development phases, in order to realize customer demands and requirements in the best possible manner.

Our people on location form the interface to the centrally coordinated development and production departments. In this way, our customers can rely on consistently high, superior product quality – worldwide.

### **Our claim: pushing performance.**

HARTING provides more than optimally attuned components. In order to serve our customers with the best possible solutions, HARTING is able to contribute a great deal more and play a closely integrative role in the value creation process.

From ready assembled cables through to control racks or ready-to-go control desks: Our aim is to generate the maximum benefits for our customers – without compromise!

### **Quality creates reliability – and warrants trust.**

The HARTING brand stands for superior quality and reliability – worldwide. The standards we set are the result of consistent, stringent quality management that is subject to regular certifications and audits.

EN ISO 9001, the EU Eco-Audit and ISO 14001 are key elements here. We take a proactive stance towards new requirements, which is why HARTING is the first company worldwide to have obtained the IRIS quality certificate for rail vehicles.



**HARTING technology creates added value for customers.** Technologies by HARTING are at work worldwide. HARTING's presence stands for smoothly functioning systems, powered by intelligent connectors, smart infrastructure solutions and mature network systems. In the course of many years of close, trust-based cooperation with its customers, the HARTING Technology Group has advanced to one of the worldwide leading specialists for connector technology. Extending beyond the basic functionalities demanded, we offer individual customers specific and innovative solutions. These tailored solutions deliver sustained effects, provide investment security and enable customers to achieve strong added value.

**Opting for HARTING opens up an innovative, complex world of concepts and ideas.**

In order to develop connectivity and network solutions serving an exceptionally wide range of connector applications and task scopes in a professional and cost optimized manner, HARTING not only commands the full array of conventional tools and basic technologies. Over and beyond these capabilities, HARTING is constantly harnessing and refining its broad base of knowledge and experience to create new solutions that ensure continuity at the same time. In securing this know-how lead, HARTING draws on a wealth of sources from both in-house research and the world of applications alike. Salient examples of these sources of innovative knowledge include microstructure technologies, 3D design and construction technology, as well as high temperature

or ultrahigh frequency applications that are finding use in telecommunications or automation networks, in the automotive industry, or in industrial sensor and actuator applications, RFID and wireless technologies, in addition to packaging and housing made of plastics, aluminum or stainless steel.

**HARTING solutions extend across technology boundaries.**

Drawing on the comprehensive resources of the group's technology pool, HARTING devises practical solutions for its customers. Whether this involves industrial networks for manufacturing automation, or hybrid interface solutions for wireless telecommunication infrastructures, 3D circuit carriers with microstructures, or cable assemblies for high-temperature applications in the automotive industry – HARTING technologies offer far more than components, and represent mature, comprehensive solutions attuned to individual customer requirements and wishes. The range covers ready-to-use cable configurations, completely assembled backplanes and board system carriers, as well as fully wired and tested control panels.

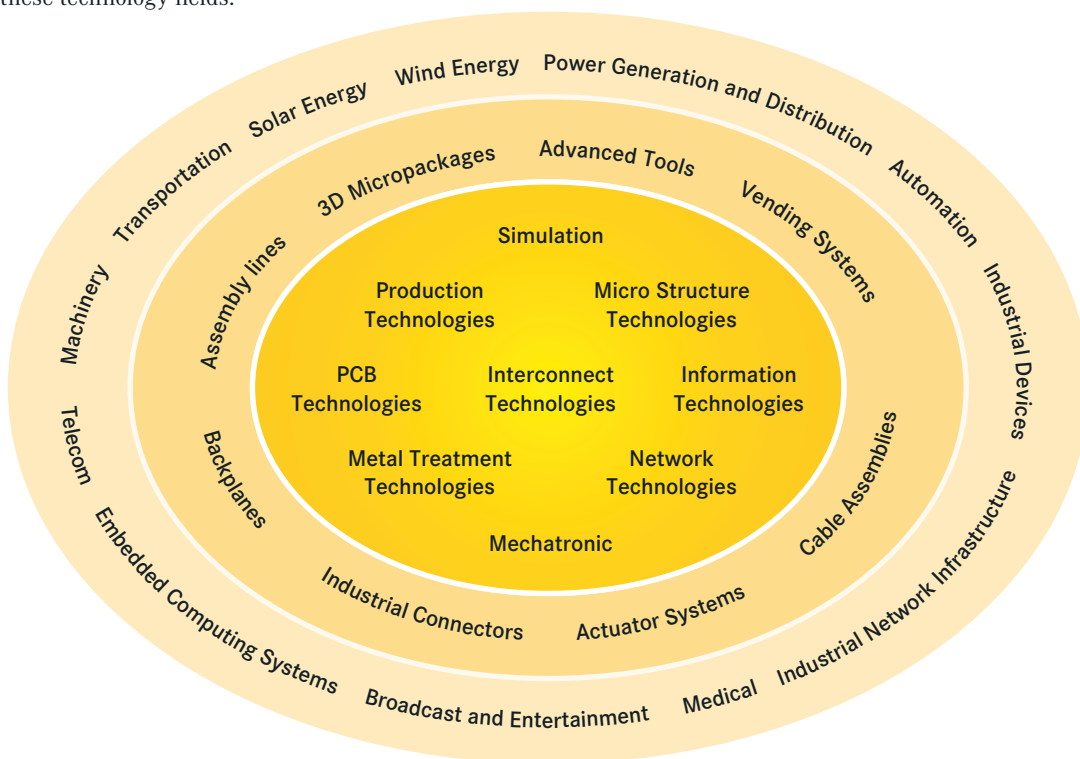
In order to ensure the future proof design of RF- and EMC-compatible interface solutions, the central HARTING laboratory (certified to EN 45001) provides simulation tools, as well as experimental, testing and diagnostics facilities all the way through to scanning electron microscopes. In the selection of materials and processes, lifecycle and environmental aspects play a key role, in addition to product and process capability considerations.



**HARTING knowledge is practical know-how generating synergy effects.**

HARTING commands decades of experience with regard to the applications conditions of connectors in telecommunications, computer and network technologies and medical technologies, as well as industrial automation technologies, such as the mechanical engineering and plant engineering areas, in addition to the power generation industry or the transportation sector. HARTING is highly conversant with the specific application areas in all of these technology fields.

The key focus is on applications in every solution approach. In this context, uncompromising, superior quality is our hallmark. Every new solution found will invariably flow back into the HARTING technology pool, thereby enriching our resources. And every new solution we go on to create will draw on this wealth of resources in order to optimize each and every individual solution. In this way, HARTING is synergy in action.





The **HARTING eCatalogue / eShop** can be found on our homepage at [www.HARTING.com](http://www.HARTING.com) or at the direct link [www.eCatalogue.HARTING.com](http://www.eCatalogue.HARTING.com).

The HARTING e-Catalogue is your platform for conveniently selecting individual products as well as configuring complete solutions. Our comprehensive product pages provide you with all necessary technical information and CAD files in various formats for downloading. You may also contact our technical sales department directly.

Find out about **product innovations and news** on the start page of the HARTING e-Catalogue or go directly to [www.product-news.HARTING.com](http://www.product-news.HARTING.com).

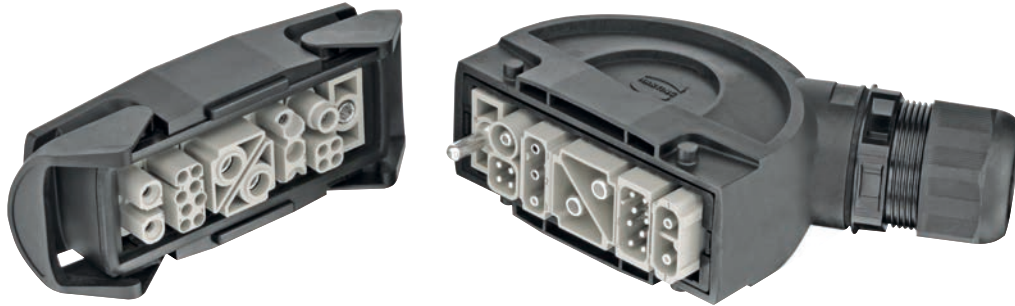
Registered users can take advantage of MyHARTING to check on availability or prices, and to place or track their orders. Here, your customized „HARTING history“ provides you with a list of your inquiries, quotations and more.

Sign up now for your free e-Catalogue account at HARTING!

[www.eShop.HARTING.com](http://www.eShop.HARTING.com)

Contents	Page
Module overview for applications with Han-Eco® .....	<b>29.3</b>
Han-Eco® Monoblocks .....	<b>29.6</b>
Hoods/housings for industrial applications .....	<b>29.11</b>
Hoods/housings for outdoor applications .....	<b>29.28</b>
Accessories .....	<b>29.45</b>

## Description of the Han-Eco® system



Han-Eco® – a new hood and housing series made of high-performance plastic material.

Han-Eco® is the ideal solution for applications that do not require the full range of product features offered by the Han® B series of hoods and housings, and users want to take advantage of the weight and cost advantages.

Like the Han® B standard series, the Han-Eco® series is available in the following sizes: 6 B, 10 B, 16 B and 24 B. The cable entries are available with metric threading, a cable gland is implemented. For housing sizes 6 B and 10 B size of the cable gland is M32, for 16 B and 24 B cable gland M40 is used.

Han-Eco® hoods and housings are made of high-performance plastic that is highly resistant to environmental stress and – in combination with the design - provides very good mechanical stability. When the connector is closed and locked, it provides degree of protection IP 65 as defined in DIN EN 60 529. With seals made of high UV- and ozone-resistant material FPM (Fluororubber) the Han-Eco® hoods and housings are fit for outdoor use. The material also meets demanding flammability requirements of UL 94 Class V 0.

Fast, simple assembly is another outstanding product feature. Click-and-mate design totally eliminates the need for tools during assembly of the Han-Eco® hoods and housings.

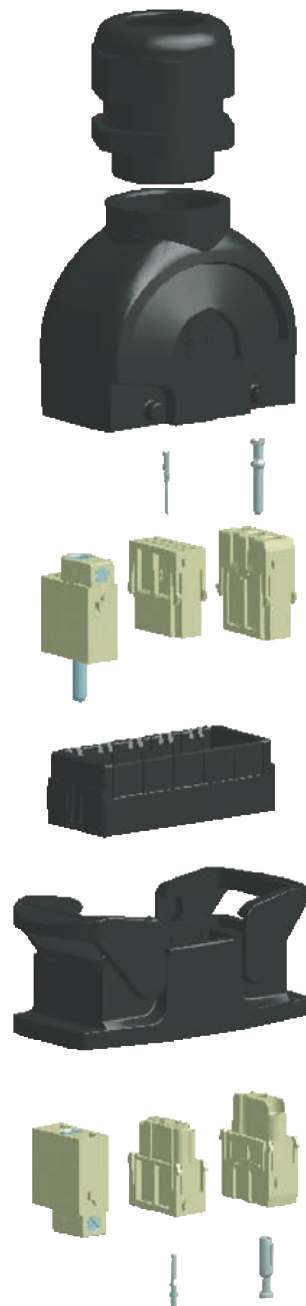
The Han-Eco® hoods and housings are compatible with the range of modules from the Han-Modular® series. One extra module fits into the Han-Eco® hoods and housing compared to the equivalent product in the Han® B Standard series. This special feature applies to all four sizes.

A optional PE module has been developed specifically for the Han-Eco® hoods and housings to hold the protective ground conductor.



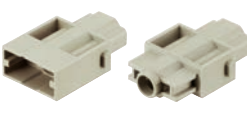








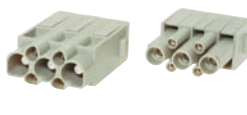


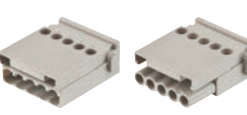

### Advantages:

- Weight reduction combined with mechanical strength
- Quick and easy assembly without tools – also possible to mount the modules from the rear side of the cabinet
- Highly resistant to environmental stress, suitable for use in outdoor applications
- Complete range of modules from Han-Modular® series usable (with exception of modules with imperative guiding pins [male and female])

### Assembly details





Series	Han® 100 A Axial module	Han® 100 A Crimp module	Han® 100 A Single module	Han® 70 A Crimp module
Number of contacts	2	2	1	2
Modules	Axial screw terminal 	Crimp terminal 	Axial screw terminal 	Crimp terminal 
Rated current	100 A	100 A	100 A	70 A
Rated voltage	1000 V	1000 V	830 V	1000 V
Wire gauge	10 ... 38 mm <sup>2</sup>	10 ... 35 mm <sup>2</sup>	10 ... 35 mm <sup>2</sup>	10 ... 25 mm <sup>2</sup>
Series	Han® 70 A Axial module	Han® 70 A Hybrid module	Han® 40 A Axial module	Han® 40 A Crimp module
Number of contacts	2	1 / 4	2	2
Modules	Axial screw terminal 	Axial screw terminal 	Axial screw terminal 	Crimp terminal 
Rated current	70 A	70 A / 16 A	40 A	40 A
Rated voltage	1000 V	1000 V / 400 V	1000 V	1000 V
Wire gauge	6 ... 22 mm <sup>2</sup>	6 ... 22 mm <sup>2</sup> / 0.14 ... 4 mm <sup>2</sup>	2.5 ... 10 mm <sup>2</sup>	1.5 ... 10 mm <sup>2</sup>
Series	Han® C Axial module	Han® C module	Han® CC Protected module	Han® CD module
Number of contacts	3	3	4	3
Modules	Axial screw terminal 	Crimp terminal 	Crimp terminal 	Crimp terminal 
Rated current	40 A	40 A	40 A	40 A
Rated voltage	690 V	400 / 690 V	830 V	830 V
Wire gauge	2.5 ... 10 mm <sup>2</sup>	1.5 ... 10 mm <sup>2</sup>	1.5 ... 6 mm <sup>2</sup>	1.5 ... 6 mm <sup>2</sup>
Series	Han® E Quick Lock module	Han E® module	Han E® Screw module	Han® EE module
Number of contacts	6	6	5	8
Modules	Quick Lock terminal 	Crimp terminal 	Screw terminal 	Crimp terminal 
Rated current	16 A	16 A	16 A	16 A
Rated voltage	500 V	500 V	230 V / 400 V	400 V
Wire gauge	0.5 ... 2.5 mm <sup>2</sup>	0.14 ... 4 mm <sup>2</sup>	0.5 ... 2.5 mm <sup>2</sup>	0.14 ... 4 mm <sup>2</sup>

for more technical details see Han® catalogue chapter 06


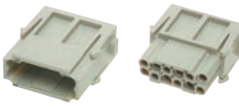

Removal tools 09 99 000 0331, 09 99 000 0828 and 09 99 000 0842 see Han® catalogue chapter 90







\* Take care of the wiring space! Choose inner positions.

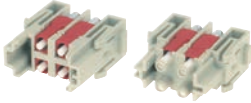



# Module overview for applications with Han-Eco®



Han-Eco

Series	Han® EE Quick Lock module	Han E® Protected module	Han® EEE module	Han® ES module
Number of contacts	8	6	20	5
Modules	Quick Lock termination 	Crimp terminal 	Crimp terminal 	Cage-clamp terminal 
Rated current	16 A	16 A	16 A	16 A
Rated voltage	400 V	830 V	500 V	400 V
Wire gauge	0.5 ... 2.5 mm <sup>2</sup>	0.14 ... 4 mm <sup>2</sup>	0.14 ... 4 mm <sup>2</sup>	0.14 ... 2.5 mm <sup>2</sup>
Series	Han® HV Single module*	Han® HV module*	Han® HV module*	Han DD® module
Number of contacts	2	2	2	12
Modules	Crimp terminal 	Crimp terminal 	Crimp terminal 	Crimp terminal 
Rated current	16 A	16 A	40 A	10 A
Rated voltage	2500 V	2900 / 5000 V	2900 / 5000 V	250 V
Wire gauge	0.5 ... 4 mm <sup>2</sup>	0.5 ... 4 mm <sup>2</sup>	1.5 ... 10 mm <sup>2</sup>	0.14 ... 2.5 mm <sup>2</sup>
Series	Han DD® Quick Lock module	Han® DDD module	Han® High Density module	Han® D-Sub module
Number of contacts	12	17	25	9
Modules	Quick Lock termination 	Crimp terminal 	Crimp terminal 	Crimp terminal 
Rated current	10 A	10 A	4 A	5 A
Rated voltage	250 V	160 V	50 V	50 V
Wire gauge	0.25 ... 1.5 mm <sup>2</sup>	0.14 ... 2.5 mm <sup>2</sup>	0.08 ... 0.52 mm <sup>2</sup>	0.08 ... 0.52 mm <sup>2</sup>
Series	Han® USB module	Han® FireWire module	Han® RJ45 module	Han® GigaBit module*
Number of contacts	4 / 8	6	8	8
Modules	USB 2.0 / 3.0 	IEEE 1394 	Ethernet Cat. 6 	Ethernet Cat. 6 

Series	Han® MegaBit module*	Han-Quintax® module			
Number of contacts	2 x 4	2			
Modules	Ethernet Cat. 5e				
Contacts		<p>Han-Quintax® contact 4 + shielding</p> 	<p>High Density Quintax contact 8 + shielding</p> 	<p>Han D® Coax contact 75 Ω 1 + shielding</p>  <p>75 Ω</p>	<p>Han E® Coax contact 50 Ω 1 + shielding</p>  <p>50 Ω</p>

Series	Han® SC module	Han-Elisa®	Han® Dummy module
Number of contacts	4		
Modules			
Contacts	<p>SC contact for GI 50; 62.5 / 125 μm</p>  <p>For the use with Han-Eco® please order female module 09 14 004 4713. Only for multimode fiber.</p>	<p>Temperature I/O modules ID module</p>	

for more technical details see Han® catalogue chapter 06  
Removal tools 09 99 000 0331, 09 99 000 0828 and 09 99 000 0842 see Han® catalogue chapter 90  
\* Take care of the wiring space! Choose inner positions.

## Features

- Suitable for Han-Eco® hoods/housings and the Han-Modular® docking frame
- Higher contact density compared to Han E® standard screw inserts (up to 65%)
- Han-Eco® "click and mate" assembly concept
- 6 coding options

## Technical characteristics

Contacts	10, 14, 20, 28
Electrical data acc. to IEC 61984	<b>16 A 500 V 6 kV 3</b>
Rated current	16 A
Rated voltage	500 V
Rated impulse voltage	6 kV
Pollution degree	3
Rated voltage acc. to UL	600 V
Rated voltage acc. to CSA	600 V
Insulation resistance	≥10 <sup>10</sup> Ohm
Limiting temperatures	-40 °C ... 125 °C
Flammability (insert) acc. to UL 94	V 0
Mating cycles	≥500
Material (insert)	polycarbonate
Colour (insert)	RAL 7032 (light grey)

## Specifications and approvals

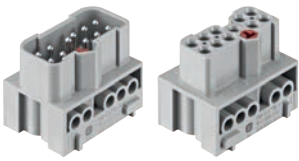
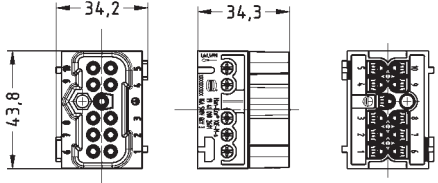
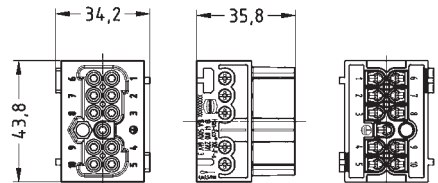
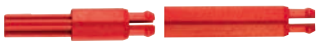
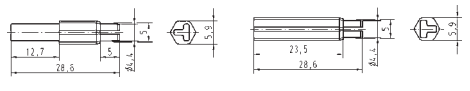
IEC 60664-1  
IEC 61984

Number of contacts

10+

500 V  
16 A

Han-Eco


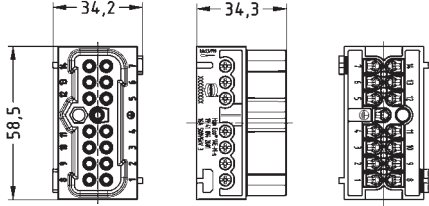
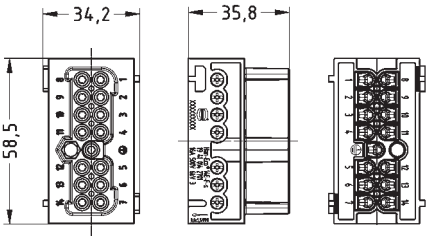

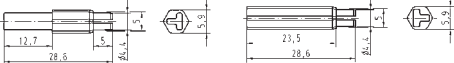
Identification	Wire cross section (mm²)	Part number		Drawing Dimensions in mm
		male	female	
Han-Eco®, Screw terminal, with wire protection  	0.75–2.5	19 41 010 2601	19 41 010 2701	male   female 
Coding element, plastic  		09 12 000 9901	09 12 000 9902	

Number of contacts

**14+**

500 V  
16 A

Han-Eco

Identification	Wire cross section (mm <sup>2</sup> )	Part number		Drawing Dimensions in mm
		male	female	
Han-Eco®, Screw terminal, with wire protection  	0.75 – 2.5	19 41 014 2601	19 41 014 2701	male  female 
Coding element, plastic  		09 12 000 9901	09 12 000 9902	


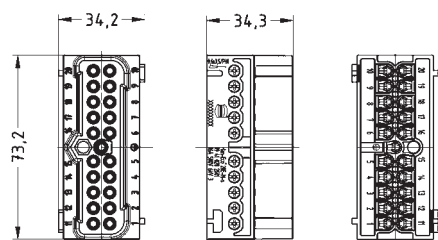
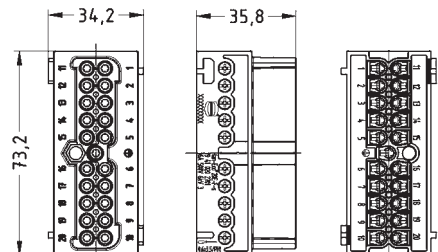

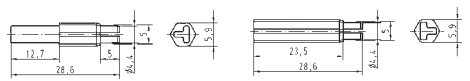
Number of contacts

# 20+



500 V  
16 A


Han-Eco

Identification	Wire cross section (mm <sup>2</sup> )	Part number		Drawing Dimensions in mm
		male	female	
Han-Eco®, Screw terminal, with wire protection  	0.75–2.5	19 41 020 2601	19 41 020 2701	male   female 
Coding element, plastic  		09 12 000 9901	09 12 000 9902	



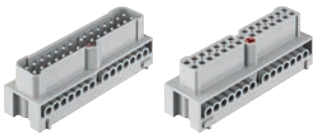
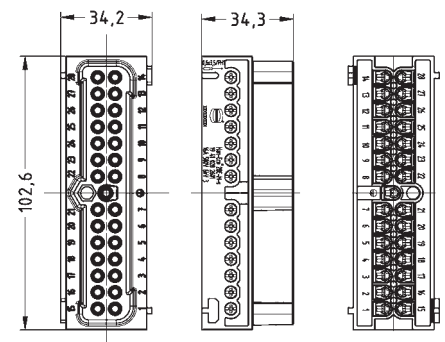
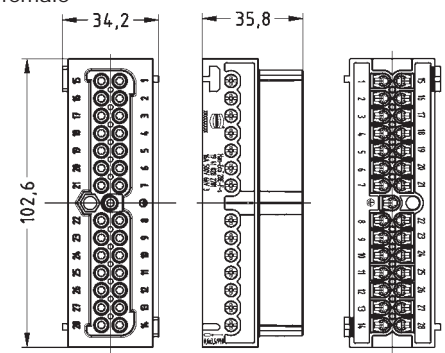

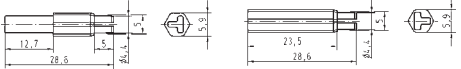
Number of contacts

# 28+



500 V  
16 A

Han-Eco

Identification	Wire cross section (mm²)	Part number		Drawing Dimensions in mm
		male	female	
Han-Eco®, Screw terminal, with wire protection  	0.75 – 2.5	19 41 028 2601	19 41 028 2701	male   female 
Coding element, plastic  		09 12 000 9901	09 12 000 9902	



## Features

- Available with integrated cable gland
- Optional PE contact module to hold the protective ground conductor
- Not mating compatible with series Han® B
- Capable for applications according protection class II

## Technical characteristics

Limiting temperatures	-40 °C ... 125 °C
Flammability (hoods/housings) acc. to UL 94	V 0
Flammability acc. to NFF 16 101 / 16 102	F2 / I3
Flammability acc. to EN 45 545-2:2013	Class R22: HL1, HL2, Class R23: HL1, HL2, HL3, Class R24: HL1, HL2, HL3
Flammability (locking lever) acc. to UL 94	V 0
Degree of protection acc. to IEC 60529	IP65
Material (hoods/housings)	polyamide, fibre-glass reinforced
Colour (hoods/housings)	RAL 9005 (black)
Material (locking lever)	polyamide, fibre-glass reinforced
Colour (locking lever)	RAL 9005 (black)
Material (seal)	NBR
Colour (seal)	RAL 9005 (black)


Han-Eco

## Specifications and approvals



IEC 61984










Identification	Cable entry	Part number	Drawing Dimensions in mm
<p>Han-Eco®, Hood with integrated cable gland, top entry</p> 	<p>M20 M25</p>	<p>19 46 110 0445 19 46 110 0446</p>	
<p>Han-Eco®, Hood with integrated cable gland, side entry</p> 	<p>M20 M25</p>	<p>19 46 110 0545 19 46 110 0546</p>	
<p>Han-Eco®, Bulkhead mounted housings</p> 		<p>19 46 010 0301</p>	
<p>Han-Eco®, Bulkhead mounted housings, with cover</p> 		<p>19 46 010 0302</p>	
<p>Han-Eco®, Surface mounted housings with integrated cable gland, side entry</p> 	<p>1xM20 1xM25 2xM20 2xM25</p>	<p>19 46 110 0250 19 46 110 0251 19 46 110 0290 19 46 110 0291</p>	





Identification	Cable entry	Part number	Drawing Dimensions in mm
<p>Han-Eco®, Surface mounted housings with integrated cable gland, with cover, side entry</p> 	<p>1xM20 1xM25 2xM20 2xM25</p>	<p>19 46 110 0252 19 46 110 0253 19 46 110 0292 19 46 110 0293</p>	
<p>Han-Eco®, Cable to cable housings, top entry</p> 	<p>1xM20 1xM25</p>	<p>19 46 110 0435 19 46 110 0436</p>	



Han-Eco

Identification	Cable entry	Part number	Drawing Dimensions in mm
<p>Han-Eco®, Hood with integrated cable gland, top entry</p> 	<p>M20 M25</p>	<p>19 46 116 0445 19 46 116 0446</p>	
<p>Han-Eco®, Hood with integrated cable gland, side entry</p> 	<p>M20 M25</p>	<p>19 46 116 0545 19 46 116 0546</p>	
<p>Han-Eco®, Bulkhead mounted housings</p> 		<p>19 46 016 0301</p>	
<p>Han-Eco®, Bulkhead mounted housings, with cover</p> 		<p>19 46 016 0302</p>	
<p>Han-Eco®, Surface mounted housings with integrated cable gland, side entry</p> 	<p>1xM20 1xM25 2xM20 2xM25</p>	<p>19 46 116 0250 19 46 116 0251 19 46 116 0290 19 46 116 0291</p>	




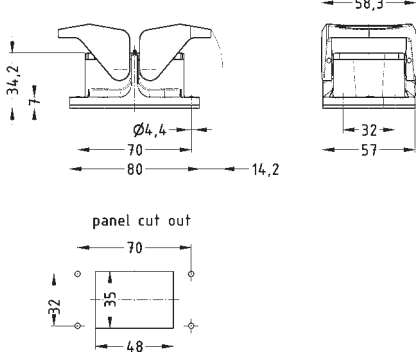

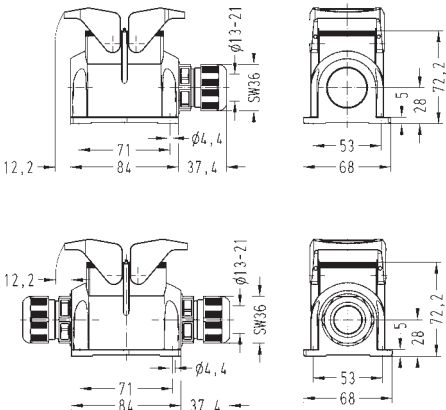

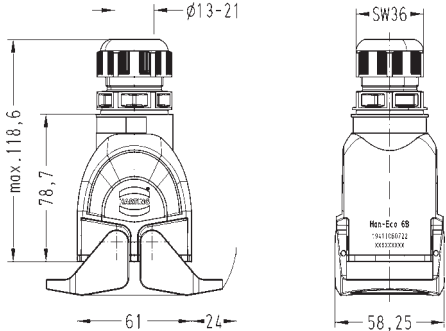
Identification	Cable entry	Part number	Drawing Dimensions in mm
<p>Han-Eco®, Surface mounted housings with integrated cable gland, with cover, side entry</p> 	<p>1xM20 1xM25 2xM20 2xM25</p>	<p>19 46 116 0252 19 46 116 0253 19 46 116 0292 19 46 116 0293</p>	
<p>Han-Eco®, Cable to cable housings, top entry</p> 	<p>1xM20 1xM25</p>	<p>19 46 116 0435 19 46 116 0436</p>	



double locking lever

Han-Eco

Identification	Cable entry	Part number	Drawing Dimensions in mm
Han-Eco®, Hoods, side entry	1xM32	19 41 006 0522	
Han-Eco®, Hoods, top entry	1xM32	19 41 006 0422	
Han-Eco®, Hood with integrated cable gland, side entry	1xM32	19 41 106 0522	
Han-Eco®, Hood with integrated cable gland, top entry	1xM32	19 41 106 0422	
Han-Eco®, Protection cover for hoods		19 41 006 5406	
Han-Eco®, Protection cover for hoods, with securing flex		19 41 006 5407	

Identification	Cable entry	Part number	Drawing Dimensions in mm
Han-Eco®, Bulkhead mounted housings  		19 41 006 0301	
Han-Eco®, Surface mounted housings, side entry	1xM32 2xM32	19 41 006 0232 19 41 006 0272	
Han-Eco®, Surface mounted housings with integrated cable gland, side entry  	1xM32 2xM32	19 41 106 0232 19 41 106 0272	
Han-Eco®, Cable to cable housings, top entry	1xM32	19 41 006 0722	
Han-Eco®, Cable to cable housings with integrated cable gland, top entry  	1xM32	19 41 106 0722	



Han-Eco

Identification

Cable entry

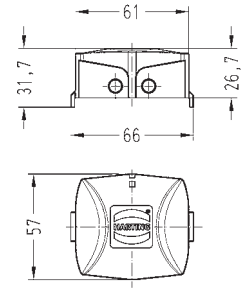
Part number

Drawing  
Dimensions in mm

Han-Eco®,  
Protection cover for housings,  
with securing flex



19 41 006 5404



Han-Eco®,  
Protection cover for housings



19 41 006 5405


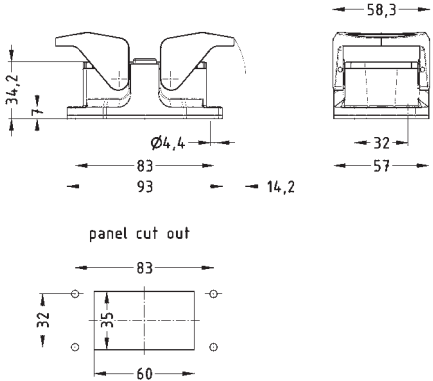

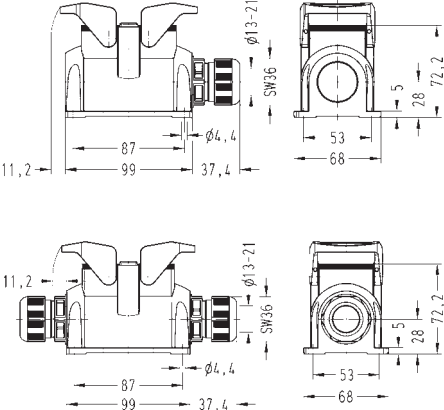

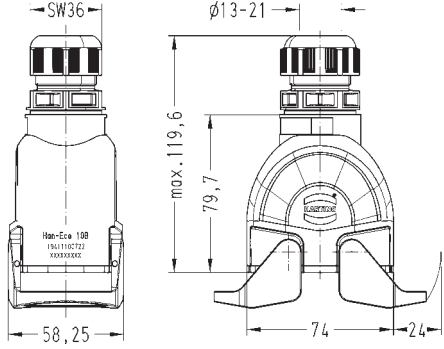


double locking lever


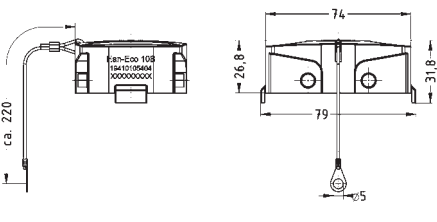

Han-Eco

Identification	Cable entry	Part number	Drawing Dimensions in mm
Han-Eco®, Hoods, side entry	1xM32	19 41 010 0522	
Han-Eco®, Hoods, top entry	1xM32	19 41 010 0422	
Han-Eco®, Hood with integrated cable gland, side entry	1xM32	19 41 110 0522	
Han-Eco®, Hood with integrated cable gland, top entry	1xM32	19 41 110 0422	
Han-Eco®, Protection cover for hoods		19 41 010 5406	
Han-Eco®, Protection cover for hoods, with securing flex		19 41 010 5407	

Han-Eco

Identification	Cable entry	Part number	Drawing Dimensions in mm
Han-Eco®, Bulkhead mounted housings  		19 41 010 0301	
Han-Eco®, Surface mounted housings, side entry	1xM32 2xM32	19 41 010 0232 19 41 010 0272	
Han-Eco®, Surface mounted housings with integrated cable gland, side entry  	1xM32 2xM32	19 41 110 0232 19 41 110 0272	
Han-Eco®, Cable to cable housings, top entry	1xM32	19 41 010 0722	
Han-Eco®, Cable to cable housings with integrated cable gland, top entry  	1xM32	19 41 110 0722	








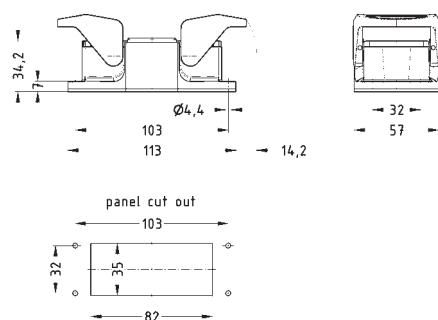

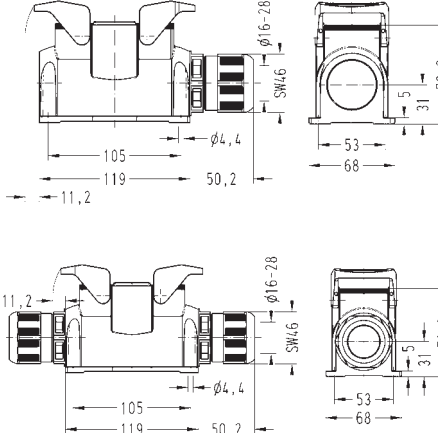

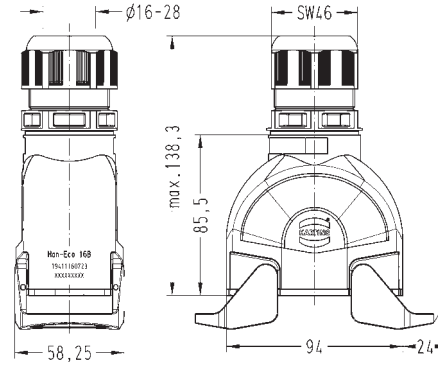

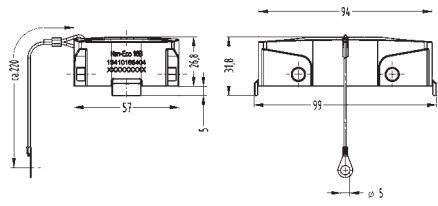
Identification	Cable entry	Part number	Drawing Dimensions in mm
<p>Han-Eco<sup>®</sup>, Protection cover for housings, with securing flex</p> 		19 41 010 5404	
<p>Han-Eco<sup>®</sup>, Protection cover for housings</p> 		19 41 010 5405	

Han-Eco

double locking lever


Han-Eco

Identification	Cable entry	Part number	Drawing Dimensions in mm
Han-Eco®, Hoods, side entry	1xM40	19 41 016 0523	
Han-Eco®, Hoods, top entry	1xM40	19 41 016 0423	
Han-Eco®, Hood with integrated cable gland, side entry 	1xM40	19 41 116 0523	
Han-Eco®, Hood with integrated cable gland, top entry 	1xM40	19 41 116 0423	
Han-Eco®, Protection cover for hoods 		19 41 016 5406	
Han-Eco®, Protection cover for hoods, with securing flex 		19 41 016 5407	

Identification	Cable entry	Part number	Drawing Dimensions in mm
Han-Eco®, Bulkhead mounted housings  		19 41 016 0301	
Han-Eco®, Surface mounted housings, side entry	1xM40 2xM40	19 41 016 0233 19 41 016 0273	
Han-Eco®, Surface mounted housings with integrated cable gland, side entry  	1xM40 2xM40	19 41 116 0233 19 41 116 0273	
Han-Eco®, Cable to cable housings, top entry	1xM40	19 41 016 0723	
Han-Eco®, Cable to cable housings with integrated cable gland, top entry  	1xM40	19 41 116 0723	
Han-Eco®, Protection cover for housings, with securing flex  		19 41 016 5404	



Han-Eco

Identification	Cable entry	Part number	Drawing Dimensions in mm
<p>Han-Eco®, Protection cover for housings</p> 		19 41 016 5405	


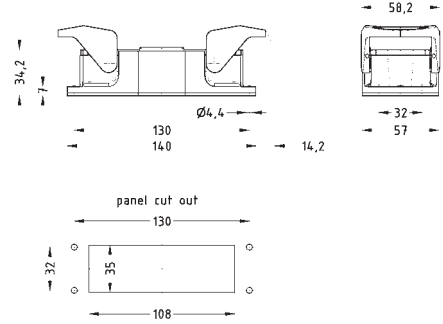

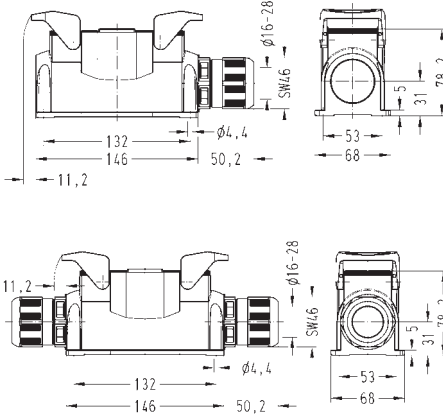

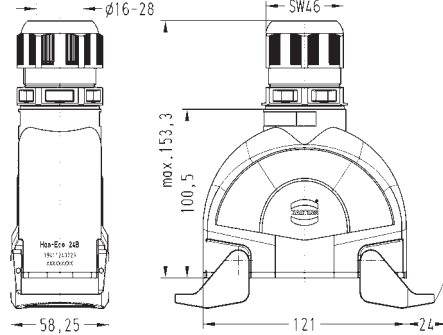

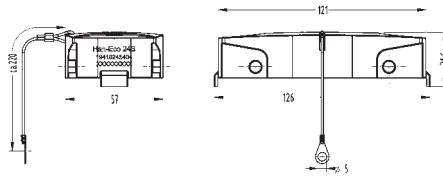
double locking lever

Han-Eco

Identification	Cable entry	Part number	Drawing Dimensions in mm
Han-Eco®, Hoods, side entry	1xM40	19 41 024 0523	
Han-Eco®, Hoods, top entry	1xM40	19 41 024 0423	
Han-Eco®, Hood with integrated cable gland, side entry	1xM40	19 41 124 0523	
Han-Eco®, Hood with integrated cable gland, top entry	1xM40	19 41 124 0423	
Han-Eco®, Protection cover for hoods		19 41 024 5406	
Han-Eco®, Protection cover for hoods, with securing flex		19 41 024 5407	




Han-Eco

Identification	Cable entry	Part number	Drawing Dimensions in mm
Han-Eco®, Bulkhead mounted housings  		19 41 024 0301	
Han-Eco®, Surface mounted housings, side entry	1xM40 2xM40	19 41 024 0233 19 41 024 0273	
Han-Eco®, Surface mounted housings with integrated cable gland, side entry  	1xM40 2xM40	19 41 124 0233 19 41 124 0273	
Han-Eco®, Cable to cable housings, top entry	1xM40	19 41 024 0723	
Han-Eco®, Cable to cable housings with integrated cable gland, top entry  	1xM40	19 41 124 0723	
Han-Eco®, Protection cover for housings, with securing flex  		19 41 024 5404	





Identification	Cable entry	Part number	Drawing Dimensions in mm
<p>Han-Eco<sup>®</sup>, Protection cover for housings</p> 		<p>19 41 024 5405</p>	

Han-Eco

## Features

- Available with integrated cable gland
- Optional PE contact module to hold the protective ground conductor
- Not mating compatible with series Han® B

## Technical characteristics

Limiting temperatures	-40 °C ... 125 °C
Flammability (hoods/housings) acc. to UL 94	V 0
Flammability acc. to NFF 16 101 / 16 102	F2 / I3
Flammability acc. to EN 45 545-2:2013	Class R22: HL1, HL2, Class R23: HL1, HL2, HL3, Class R24: HL1, HL2, HL3
Flammability (locking lever) acc. to UL 94	V 0
Degree of protection acc. to IEC 60529	IP65
Material (hoods/housings)	polyamide, fibre-glass reinforced
Colour (hoods/housings)	RAL 9005 (black)
Material (locking lever)	polyamide, fibre-glass reinforced
Colour (locking lever)	RAL 9005 (black)
Material (seal)	FPM
Colour (seal)	RAL 7001 (silver-grey)

## Specifications and approvals

IEC 61984








Identification	Cable entry	Part number	Drawing Dimensions in mm
<p>Han-Eco®, Hood with integrated cable gland, top entry</p> 	<p>M20 M25</p>	<p>19 46 310 0445 19 46 310 0446</p>	
<p>Han-Eco®, Hood with integrated cable gland, side entry</p> 	<p>M20 M25</p>	<p>19 46 310 0545 19 46 310 0546</p>	
<p>Han-Eco®, Bulkhead mounted housings</p> 		<p>19 46 210 0301</p>	
<p>Han-Eco®, Bulkhead mounted housings, with cover</p> 		<p>19 46 210 0302</p>	
<p>Han-Eco®, Surface mounted housings with integrated cable gland, side entry</p> 	<p>1xM20 1xM25 2xM20 2xM25</p>	<p>19 46 110 0250 19 46 110 0251 19 46 110 0290 19 46 110 0291</p>	



Han-Eco

Identification	Cable entry	Part number	Drawing Dimensions in mm
<p>Han-Eco®, Surface mounted housings with integrated cable gland, with cover, side entry</p> 	<p>1xM20 1xM25 2xM20 2xM25</p>	<p>19 46 310 0252 19 46 310 0253 19 46 310 0292 19 46 310 0293</p>	
<p>Han-Eco®, Cable to cable housings, top entry</p> 	<p>1xM20 1xM25</p>	<p>19 46 110 0435 19 46 110 0436</p>	



Identification	Cable entry	Part number	Drawing Dimensions in mm
<p>Han-Eco®, Hood with integrated cable gland, top entry</p> 	<p>M20 M25</p>	<p>19 46 316 0445 19 46 316 0446</p>	
<p>Han-Eco®, Hood with integrated cable gland, side entry</p> 	<p>M20 M25</p>	<p>19 46 316 0545 19 46 316 0546</p>	
<p>Han-Eco®, Bulkhead mounted housings</p>  <p>Han-Eco®, Bulkhead mounted housings, with cover</p> 		<p>19 46 216 0301  19 46 216 0302</p>	
<p>Han-Eco®, Surface mounted housings with integrated cable gland, side entry</p> 	<p>1xM20 1xM25 2xM20 2xM25</p>	<p>19 46 116 0250 19 46 116 0251 19 46 116 0290 19 46 116 0291</p>	



Han-Eco

Identification	Cable entry	Part number	Drawing Dimensions in mm
<p>Han-Eco®, Surface mounted housings with integrated cable gland, with cover, side entry</p> 	<p>1xM20 1xM25 2xM20 2xM25</p>	<p>19 46 316 0252 19 46 316 0253 19 46 316 0292 19 46 316 0293</p>	
<p>Han-Eco®, Cable to cable housings, top entry</p> 	<p>1xM20 1xM25</p>	<p>19 46 116 0435 19 46 116 0436</p>	


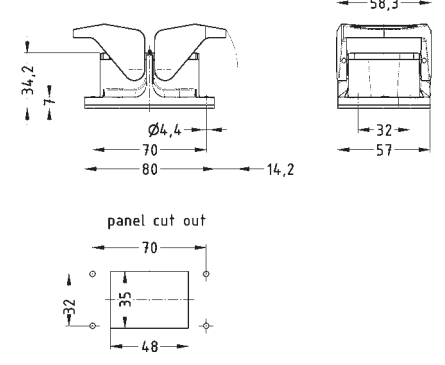

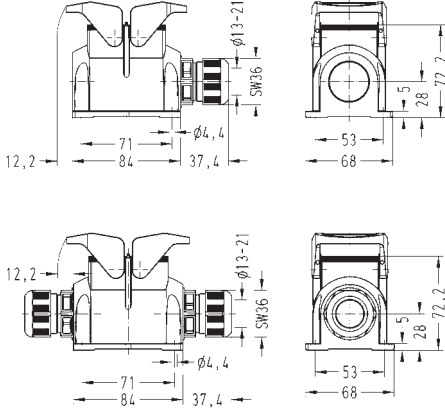

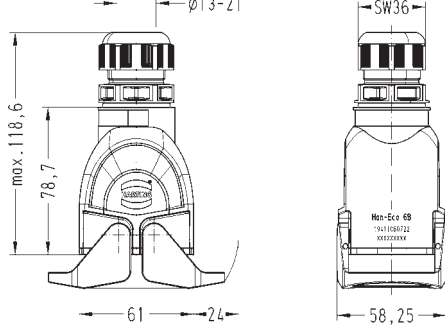
double locking lever

Han-Eco


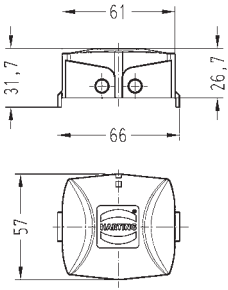

Identification	Cable entry	Part number	Drawing Dimensions in mm
Han-Eco®, Hoods, side entry	1xM32	19 41 006 0522	
Han-Eco®, Hoods, top entry	1xM32	19 41 006 0422	
Han-Eco®, Hood with integrated cable gland, side entry	1xM32	19 41 106 0522	
Han-Eco®, Hood with integrated cable gland, top entry	1xM32	19 41 106 0422	
Han-Eco®, Protection cover for hoods		19 41 206 5406	
Han-Eco®, Protection cover for hoods, with securing flex		19 41 206 5407	



Han-Eco

Identification	Cable entry	Part number	Drawing Dimensions in mm
Han-Eco®, Bulkhead mounted housings  		19 41 206 0301	
Han-Eco®, Surface mounted housings, side entry	1xM32 2xM32	19 41 206 0232 19 41 206 0272	
Han-Eco®, Surface mounted housings with integrated cable gland, side entry  	1xM32 2xM32	19 41 306 0232 19 41 306 0272	
Han-Eco®, Cable to cable housings, top entry	1xM32	19 41 206 0722	
Han-Eco®, Cable to cable housings with integrated cable gland, top entry  	1xM32	19 41 306 0722	







Identification	Cable entry	Part number	Drawing Dimensions in mm
<p>Han-Eco® Protection cover for housings, with securing flex</p> 		<p>19 41 006 5404</p>	
<p>Han-Eco® Protection cover for housings</p> 		<p>19 41 006 5405</p>	

Han-Eco


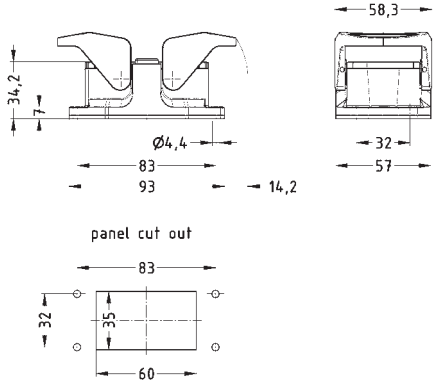

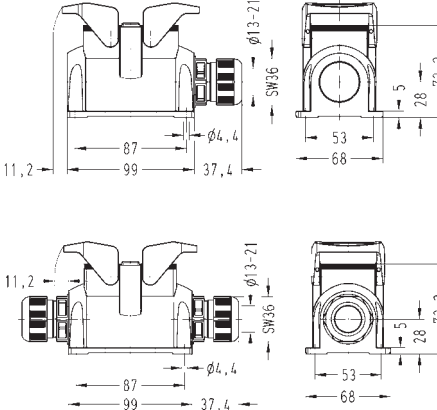

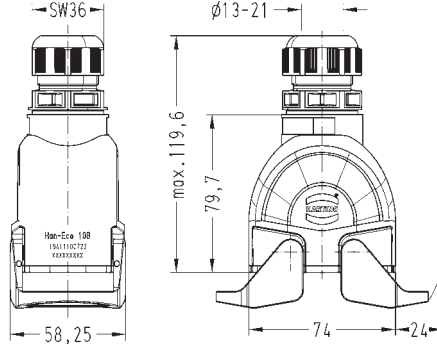


double locking lever

Han-Eco

Identification	Cable entry	Part number	Drawing Dimensions in mm
Han-Eco®, Hoods, side entry	1xM32	19 41 010 0522	
Han-Eco®, Hoods, top entry	1xM32	19 41 010 0422	
Han-Eco®, Hood with integrated cable gland, side entry 	1xM32	19 41 110 0522	
Han-Eco®, Hood with integrated cable gland, top entry 	1xM32	19 41 110 0422	
Han-Eco®, Protection cover for hoods 		19 41 210 5406	
Han-Eco®, Protection cover for hoods, with securing flex 		19 41 210 5407	



Identification	Cable entry	Part number	Drawing Dimensions in mm
<p>Han-Eco<sup>®</sup>, Bulkhead mounted housings</p> 		19 41 210 0301	
<p>Han<sup>®</sup> B, Surface mounted housings, side entry</p>	1xM32 2xM32	19 41 210 0232 19 41 210 0272	
<p>Han<sup>®</sup> B, Surface mounted housings with integrated cable gland, side entry</p> 	1xM32 2xM32	19 41 310 0232 19 41 310 0272	
<p>Han-Eco<sup>®</sup>, Cable to cable housings, top entry</p>	1xM32	19 41 210 0722	
<p>Han-Eco<sup>®</sup>, Cable to cable housings with integrated cable gland, top entry</p> 	1xM32	19 41 310 0722	

Han-Eco

Identification

Cable entry

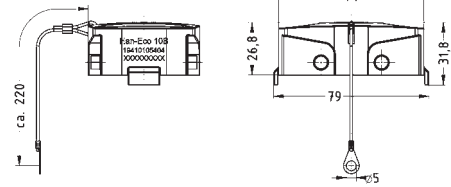
Part number

Drawing  
Dimensions in mm

Han-Eco®,  
Protection cover for housings,  
with securing flex



19 41 010 5404



Han-Eco®,  
Protection cover for housings




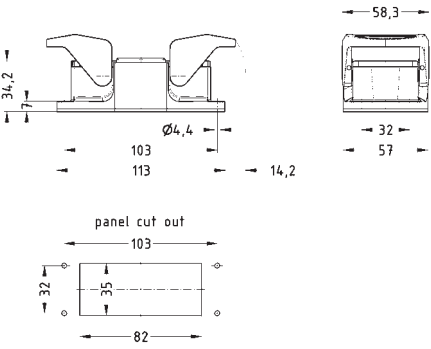

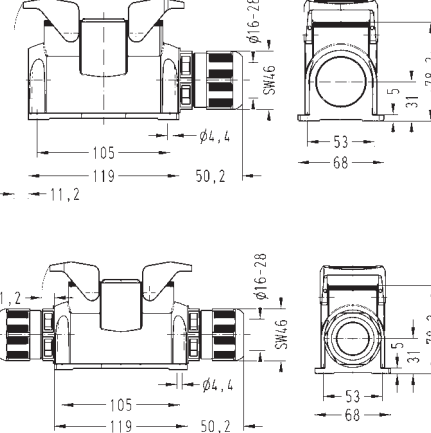

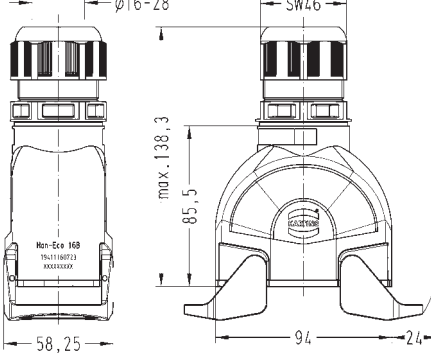

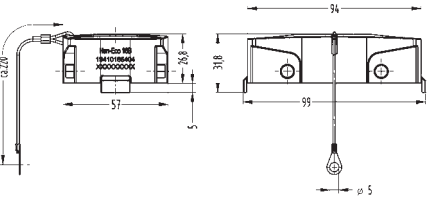
19 41 010 5405

double locking lever


Han-Eco

Identification	Cable entry	Part number	Drawing Dimensions in mm
Han-Eco®, Hoods, side entry	1xM40	19 41 016 0523	
Han-Eco®, Hoods, top entry	1xM40	19 41 016 0423	
Han-Eco®, Hood with integrated cable gland, side entry	1xM40	19 41 116 0523	
Han-Eco®, Hood with integrated cable gland, top entry	1xM40	19 41 116 0423	
Han-Eco®, Protection cover for hoods		19 41 216 5406	
Han-Eco®, Protection cover for hoods, with securing flex		19 41 216 5407	

Han-Eco

Identification	Cable entry	Part number	Drawing Dimensions in mm
Han® B, Bulkhead mounted housings  		19 41 216 0301	
Han-Eco®, Surface mounted housings, side entry	1xM40 2xM40	19 41 216 0233 19 41 216 0273	
Han-Eco®, Surface mounted housings with integrated cable gland, side entry  	1xM40 2xM40	19 41 316 0233 19 41 316 0273	
Han-Eco®, Cable to cable housings, top entry	1xM40	19 41 216 0723	
Han-Eco®, Cable to cable housings with integrated cable gland, top entry  	1xM40	19 41 316 0723	
Han-Eco®, Protection cover for housings, with securing flex  		19 41 016 5404	



Identification	Cable entry	Part number	Drawing Dimensions in mm
<p data-bbox="133 319 440 387">Han-Eco®, Protection cover for housings</p> 		19 41 016 5405	


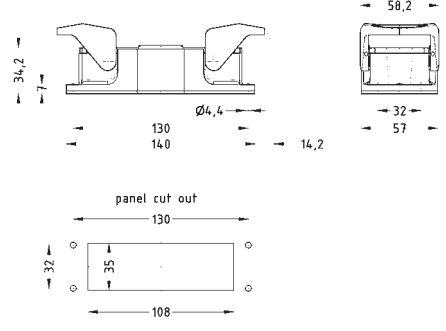

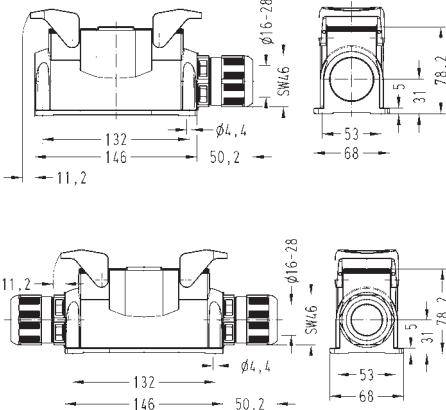

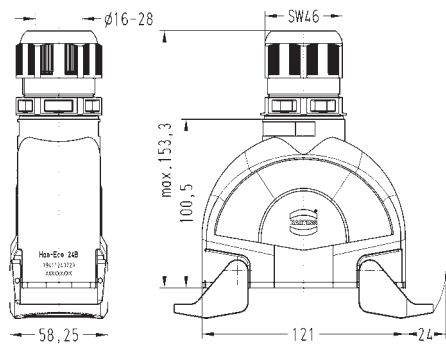

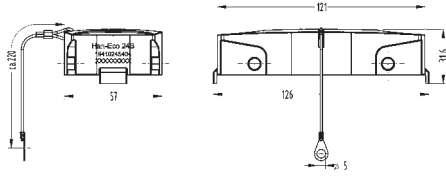
Han-Eco

double locking lever

Han-Eco


Identification	Cable entry	Part number	Drawing Dimensions in mm
Han-Eco®, Hoods, side entry	1xM40	19 41 024 0523	
Han-Eco®, Hoods, top entry	1xM40	19 41 024 0423	
Han-Eco®, Hood with integrated cable gland, side entry	1xM40	19 41 124 0523	
Han-Eco®, Hood with integrated cable gland, top entry	1xM40	19 41 124 0423	
Han-Eco®, Protection cover for hoods		19 41 224 5406	
Han-Eco®, Protection cover for hoods, with securing flex		19 41 224 5407	


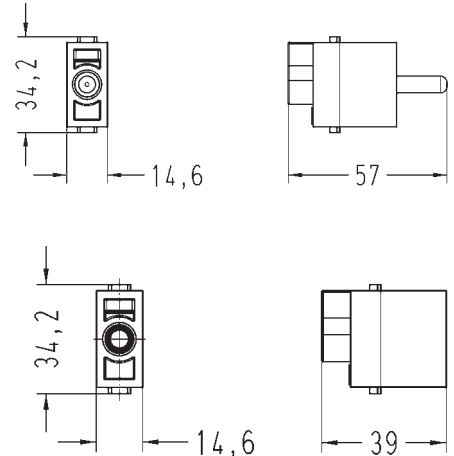


Identification	Cable entry	Part number	Drawing Dimensions in mm
Han-Eco®, Bulkhead mounted housings  		19 41 224 0301	
Han® B, Surface mounted housings, side entry	1xM40 2xM40	19 41 224 0233 19 41 224 0273	
Han® B, Surface mounted housings with integrated cable gland, side entry  	1xM40 2xM40	19 41 324 0233 19 41 324 0273	
Han® B, Cable to cable housings, top entry	1xM40	19 41 224 0723	
Han® B, Cable to cable housings with integrated cable gland  	1xM40	19 41 324 0723	
Han-Eco®, Protection cover for housings, with securing flex  		19 41 024 5404	



Han-Eco

Identification	Cable entry	Part number	Drawing Dimensions in mm
<p>Han-Eco®, Protection cover for housings</p> 		19 41 024 5405	


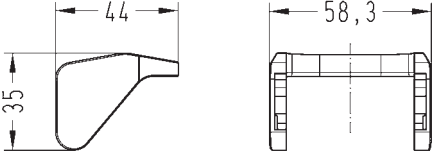

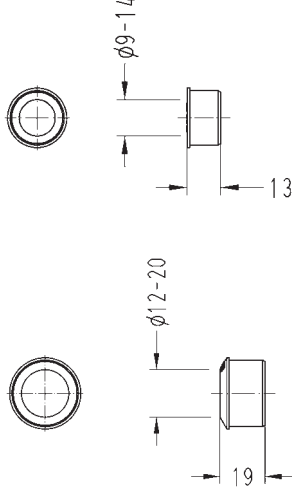

Identification	Wire cross section (mm <sup>2</sup> )	Part number		Drawing Dimensions in mm
		male	female	
<p>Han-Eco<sup>®</sup>, PE contact module, with screw terminal</p>  <p>with 09 99 000 0830 HARTING Crimping tool also cable up to 25 mm<sup>2</sup> with ferrule adaptable</p>	1.5 – 16	19 41 001 2600	19 41 001 2700	

## Technical characteristics

Material (accessories)      plastic

## Technical characteristics

Colour (accessories)      black

Identification	Size	Part number	Drawing Dimensions in mm
Cable gland	M32 M40	19 41 000 5131 19 41 000 5141	
			
Han-Eco®, Locking lever, for all sizes		19 41 000 5201	
			
Han-Eco®, Reduction sealing insert	M32 M40	19 41 000 5132 19 41 000 5142	
			

Technical characteristics

Material (accessories) NBR

Technical characteristics

Colour (accessories) black

Identification	Size	Part number	Drawing Dimensions in mm
Han-Eco®, Flange gasket, NBR	6 B	19 41 000 9801	
	10 B	19 41 000 9802	
	16 B	19 41 000 9803	
	24 B	19 41 000 9804	
Han-Eco®, Profile gasket, NBR	6 B	19 41 000 9901	
	10 B	19 41 000 9902	
	16 B	19 41 000 9903	
	24 B	19 41 000 9904	



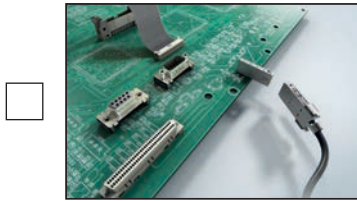


Photo courtesy: Robolights

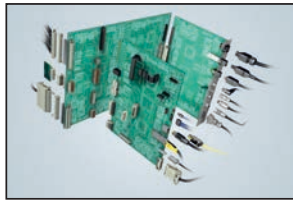
### Installation of multiple services through a single lightweight connector assembly

When the Grand Opera House, York in the United Kingdom wanted to upgrade its 12 motorised hoists, drive system and control, a UK custom panel builder put together a design that would allow individual speed and direction control of each of the flying bars from a central console. They manufactured the control console, connection point and interconnecting cables along with a custom wheeled frame to allow easy movement of the console around the stage. This project made use of HARTING's recently introduced modular Han-Eco® system connectors which allow the integration of multiple services, contact types and ratings into a single connector assembly.

Please send me further information:



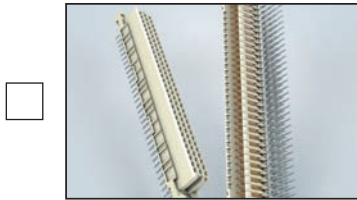
**Interface Connectors**



**Device Connectivity**



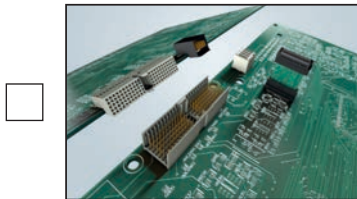
**Industrial Connectors Han®**



**Connectors  
DIN 41612**



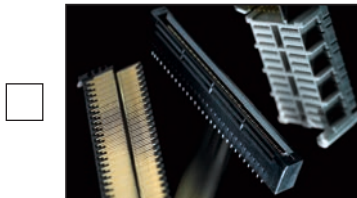
**Intelligent Network  
Solutions**



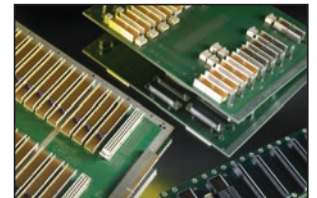
**Coaxial and Metric  
Connectors**



**Application  
brochure**



**TCA Connectors**



**High Speed  
Backplanes**

Sender:

Company: \_\_\_\_\_

Street: \_\_\_\_\_

Department: \_\_\_\_\_

Postcode/Town: \_\_\_\_\_

Name: \_\_\_\_\_

Country: \_\_\_\_\_

Prenome: \_\_\_\_\_

Phone: \_\_\_\_\_

Function: \_\_\_\_\_

Fax: \_\_\_\_\_

***Please send it by post or fax to your local HARTING representatives (see page addresses) or visit us under [www.HARTING.com](http://www.HARTING.com).***

E-Mail: \_\_\_\_\_



- Tochtergesellschaft / Local subsidiary
- Fertigungsstätte / Production Plant
- F & E / R & D

## Sales Network – worldwide



### **Afghanistan**

see United Arab Emirates

### **Albania**

see Austria

### **Argentina**

Condelectric S.A.  
Hipólito Yrigoyen 2591  
1640 – Martínez  
Buenos Aires – Argentina  
Phone +54 11 4836 1053  
Fax +54 11 4836 1053  
comercial@condelectric.com.ar

### **Armenia**

see Russia

### **Australia**

HARTING Pty Ltd  
Suite 11 / 2 Enterprise Drive  
Bundoora 3083, AUS-Victoria  
Phone +61 3 9466 7088  
Fax +61 3 9466 7099  
au@HARTING.com  
www.HARTING.com.au

### **Austria**

HARTING Ges.m.b.H.  
Deutschstraße 19, A-1230 Wien  
Phone +431 6162121  
Fax +431 6162121-21  
at@HARTING.com  
www.HARTING.at

### **Azerbaijan**

see Turkey

### **Bahrain**

see United Arab Emirates

### **Belarus**

see Russia

### **Belgium**

HARTING N.V./S.A.  
Z.3 Doornveld 23, B-1731 Zellik  
Phone +32 2 466 0190  
Fax +32 2 466 7855  
be@HARTING.com  
www.HARTING.be

### **Bosnia and Herzegovina**

see Austria

### **Brazil**

HARTING Ltda.  
Rua Major Paladino 128 –  
Prédio 11  
CEP 05307-000 – São Paulo –  
SP – Brasil  
Phone +55 11 5035 0073  
Fax +55 11 5034 4743  
br@HARTING.com  
www.HARTING.com.br

### **Brunei**

see Singapore

### **Bulgaria**

see Austria

### **Canada**

HARTING Canada Inc.  
8455 Trans-Canada Hwy., Suite 202  
St. Laurent, QC, H4S1Z1, Canada  
Phone 855-659-6653  
Fax 855-659-6654  
info.ca@HARTING.com  
www.HARTING.ca

### **China**

HARTING (Zhuhai) Sales Ltd.  
Shanghai Branch, Room 3501,  
Grand Gateway I, No. 1 Hong Qiao Road  
Xu Hui District, Shanghai 200030, China  
Phone +86 21 6386 2200  
Fax +86 21 6386 8636  
cn@HARTING.com  
www.HARTING.com.cn

### **Croatia**

see Austria

### **Czech Republic**

HARTING s.r.o.  
Mlýnská 2, CZ-160 00 Praha 6  
Phone +420 220 380 460  
Fax +420 220 380 461  
cz@HARTING.com  
www.HARTING.cz

### **Denmark**

HARTING ApS  
Hjulgagervej 4a  
DK – 7100 Vejle  
Phone +45 70 25 00 32  
Fax +45 75 80 64 99  
dk@HARTING.com  
www.HARTING.dk

### **Egypt**

see United Arab Emirates

### **Estonia**

see Finland



## Finland

HARTING Oy  
Teknobulevardi 3-5  
FI-01530 Vantaa  
Phone +358 207 291 510  
Fax +358 207 291 511  
fi@HARTING.com  
www.HARTING.fi

## France

HARTING France  
181 avenue des Nations, Paris Nord 2  
BP 66058 Tremblay en France  
F-95972 Roissy Charles de Gaulle Cédex  
Phone +33 1 4938 3400  
Fax +33 1 4863 2306  
fr@HARTING.com  
www.HARTING.fr

## Germany

HARTING Deutschland GmbH & Co. KG  
P.O. Box 2451, D-32381 Minden  
Simeons carré 1, D-32427 Minden  
Phone +49 571 8896 0  
Fax +49 571 8896 282  
de@HARTING.com  
www.HARTING.de

## Georgia

see Russia

## Great Britain

HARTING Ltd., Caswell Road  
Brackmills Industrial Estate  
GB-Northampton, NN4 7PW  
Phone +44 1604 827 500  
Fax +44 1604 706 777  
gb@HARTING.com  
www.HARTING.co.uk

## Hong Kong

HARTING (HK) Limited  
Regional Office Asia Pacific  
3512 Metroplaza Tower 1  
223 Hing Fong Road  
Kwai Fong, N. T., Hong Kong  
Phone +852 2423 7338  
Fax +852 2480 4378  
ap@HARTING.com  
www.HARTING.com.hk

## Hungary

HARTING Magyarország Kft.  
Fehérvári út 89-95, H-1119 Budapest  
Phone +36 1 205 34 64  
Fax +36 1 205 34 65  
hu@HARTING.com  
www.HARTING.hu

## Iceland

see Great Britain

## India

HARTING India Pvt Ltd  
7th Floor (West Wing), Central Square II  
Unit No.B-19 Part, B 20&21  
TVK Industrial Estate  
Guindy, Chennai – 600032  
Phone +91-44-43560415  
+91-44-43456262  
Fax +91-44-43560417  
in@HARTING.com  
www.HARTING.in

## Indonesia

see Malaysia

## Iran

see United Arab Emirates

## Iraq

see United Arab Emirates

## Israel

COMTEL  
Israel Electronic Solutions Ltd.  
Bet Hapamon, 20 Hataas st.  
P.O.Box 66  
Kefar-Saba 44425  
Phone +972-9-7677240  
Fax +972-9-7677243  
sales@comtel.co.il  
www.comtel.co.il

## Italy

HARTING SpA  
Via Dell' Industria 7  
I-20090 Vimodrone (Milano)  
Phone +39 02 250801  
Fax +39 02 2650 597  
it@HARTING.com  
www.HARTING.it

## Japan

HARTING K. K.  
Yusen Shin-Yokohama 1 Chome Bldg., 2F  
1-7-9, Shin-Yokohama, Kohoku  
Yokohama 222-0033 Japan  
Phone +81 45 476 3456  
Fax +81 45 476 3466  
jp@HARTING.com  
www.HARTING.co.jp

## Jemen

see United Arab Emirates

## Jordan

see United Arab Emirates

## Kazakhstan

see Russia

## Kirghizia

see Russia

## Korea (South)

HARTING Korea Limited  
B-B108, Woolim Lions Valley 5th  
302, Galmachi-ro, Jungwon-gu  
Seongnam-si, Gyeonggi-do  
462-739, Korea  
Phone +82 31 750 0380  
Fax +82 31 781 4616  
kr@HARTING.com  
www.HARTING.co.kr

## Kosovo

see Austria

## Kuwait

see United Arab Emirates

## Latvia

see Finland

## Lebanon

see United Arab Emirates

## Lithuania

see Finland

## Macedonia

see Austria

## Malaysia (Office)

HARTING Singapore Pte Ltd  
Malaysia Branch  
11-02 Menara Amcorp  
Jln. Persiaran Barat  
46200 PJ, Sel. D. E., Malaysia  
Phone +60 3 / 7955 6173  
Fax +60 3 / 7955 5126  
sg@HARTING.com

## Montenegro

see Austria

## Netherlands

HARTING B.V.  
Larenweg 44  
NL-5234 KA ,s-Hertogenbosch  
Postbus 3526  
NL-5203 DM ,s-Hertogenbosch  
Phone +31 736 410 404  
Fax +31 736 440 699  
nl@HARTING.com  
www.HARTINGbv.nl

## New Zealand

see Australia

## Norway

HARTING A/S  
Østensjøveien 36, N-0667 Oslo  
Phone +47 22 700 555  
Fax +47 22 700 570  
no@HARTING.com  
www.HARTING.no

## Oman

see United Arab Emirates

## Pakistan

see United Arab Emirates

## Philippines

see Malaysia



## Poland

HARTING Polska Sp. z o.o.  
ul. Duńska 9  
PL- 54-427 Wrocław  
Phone +48 71 352 81 71  
Fax +48 71 350 42 13  
pl@HARTING.com  
www.HARTING.pl

## Portugal

HARTING Iberia, S. A.  
C\Viriato, 47 8º, Edificio Numancia 1  
E-08014 Barcelona  
Phone +351 219 673 177  
Fax +351 219 678 457  
es@HARTING.com  
www.HARTING.es/pt

## Qatar

see United Arab Emirates

## Republic of Moldova

see Romania

## Romania

HARTING Romania SCS  
Europa Unita str. 21  
550018-Sibiu, Romania  
Phone +40 369-102 671  
Fax +40 369-102 622  
ro@HARTING.com  
www.HARTING.com

## Russia

HARTING ZAO  
Maliy Sampsoniyevsky prospect 2A  
194044 Saint Petersburg, Russia  
Phone +7 812 327 6477  
Fax +7 812 327 6478  
ru@HARTING.com  
www.HARTING.ru

## Saudi Arabia

see United Arab Emirates

## Serbia

see Austria

## Singapore

HARTING Singapore Pte Ltd.  
25 International Business Park  
#04-108 German Centre  
Singapore 609916  
Phone +65 6225 5285  
Fax +65 6225 9947  
sg@HARTING.com  
www.HARTING.sg

## Slovakia

HARTING s.r.o.  
Sales office Slovakia  
J. Simora 5, SK – 940 52 Nové Zámky  
Phone +421 356-493 993  
Fax +421 356-402 114  
sk@HARTING.com  
www.HARTING.sk

## Slovenia

see Austria

## South Africa

HARTING South Africa (Pty) Ltd  
Ground Floor, Twickenham Building  
PO Box 67302  
Johannesburg (Bryanston)  
2021, South Africa  
Phone +27 (0) 11 575 0017  
Fax +27 (0) 11 576 6000  
za@HARTING.com  
www.HARTING.co.za

## Spain

HARTING Iberia S.A.  
C\Viriato, 47 8º, Edificio Numancia 1  
E-08014 Barcelona  
Phone +34 93 363 84 75  
Fax +34 93 419 95 85  
es@HARTING.com  
www.HARTING.es

## Sweden

HARTING AB  
Gustavslundsvägen 141 B 4tr  
S-167 51 Bromma  
Phone +46 8 445 7171  
Fax +46 8 445 7170  
se@HARTING.com  
www.HARTING.se

## Switzerland

HARTING AG  
Industriestrasse 26  
CH-8604 Volketswil  
Phone +41 44 908 20 60  
Fax +41 44 908 20 69  
ch@HARTING.com  
www.HARTING.ch

## Syria

see United Arab Emirates

## Taiwan

HARTING Taiwan Ltd.  
Room 1, 5/F  
495 GuangFu South Road  
RC-110 Taipei, Taiwan  
Phone +886 2 2758 6177  
Fax +886 2 2758 7177  
tw@HARTING.com  
www.HARTING.com.tw

## Tajikistan

see Russia

## Thailand

see Malaysia

## Turkey

HARTING TURKEI Elektronik Ltd. Şti.  
Barbaros Mah. Dereboyu Cad. Fes-  
leğen Sok.  
Uphill Towers, A-1b Kat:8 D:45  
34746 Ataşehir, İstanbul  
Phone +90 216 688 81 00  
Fax +90 216 688 81 01  
tr@HARTING.com  
www.HARTING.com.tr

## Turkmenistan

see Russia

## Ukraine

see Poland

## United Arab Emirates

HARTING Middle East FZ-LLC  
Knowledge Village, Block 2A, Office F72  
P.O. Box 454372, Dubai  
United Arab Emirates  
Phone +971 4 453 9737  
Fax +971 4 439 0339  
uae@HARTING.com  
www.HARTING.ae

## USA

HARTING Inc. of North America  
1370 Bowes Road  
USA-Elgin, Illinois 60123  
Phone +1 (877) 741-1500 (toll free)  
Fax +1 (866) 278-0307 (Inside Sales)  
us@HARTING.com  
www.HARTING-USA.com

## Uzbekistan

see Russia

## Vietnam

see Singapore

## Distributors – worldwide



Digi-Key Corporation:  
www.digikey.com

Farnell:  
www.farnell.com

FUTURE Electronics:  
www.futureelectronics.com

Mouser Electronics:  
www.mouser.com

RS Components:  
www.rs-components.com

## Other countries and general contact



HARTING Electric GmbH & Co. KG  
P.O. Box 1473, D-32328 Espelkamp  
Phone +49 5772 47-97100  
Fax +49 5772 47-495  
electric@HARTING.com  
www.HARTING.com





Pushing Performance

**HARTING.com** –  
the gateway to your  
country website.

---

[www.HARTING.ae](http://www.HARTING.ae)  
[www.HARTING.at](http://www.HARTING.at)  
[www.HARTING.com.au](http://www.HARTING.com.au)  
[www.HARTING.be](http://www.HARTING.be)  
[www.HARTING.com.br](http://www.HARTING.com.br)  
[www.HARTING.ca](http://www.HARTING.ca)  
[www.HARTING.ch](http://www.HARTING.ch)  
[www.HARTING.com.cn](http://www.HARTING.com.cn)  
[www.HARTING.cz](http://www.HARTING.cz)  
[www.HARTING.de](http://www.HARTING.de)  
[www.HARTING.dk](http://www.HARTING.dk)  
[www.HARTING.es](http://www.HARTING.es)  
[www.HARTING-easterneurope.com](http://www.HARTING-easterneurope.com)  
[www.HARTING.fi](http://www.HARTING.fi)  
[www.HARTING.fr](http://www.HARTING.fr)  
[www.HARTING.co.uk](http://www.HARTING.co.uk)  
[www.HARTING.com.hk](http://www.HARTING.com.hk)  
[www.HARTING.hu](http://www.HARTING.hu)  
[www.HARTING.co.in](http://www.HARTING.co.in)  
[www.HARTING.it](http://www.HARTING.it)  
[www.HARTING.co.jp](http://www.HARTING.co.jp)  
[www.HARTING.co.kr](http://www.HARTING.co.kr)  
[www.HARTINGbv.nl](http://www.HARTINGbv.nl)  
[www.HARTING.no](http://www.HARTING.no)  
[www.HARTING.pl](http://www.HARTING.pl)  
[www.HARTING.pt](http://www.HARTING.pt)  
[www.HARTING.ro](http://www.HARTING.ro)  
[www.HARTING.ru](http://www.HARTING.ru)  
[www.HARTING.se](http://www.HARTING.se)  
[www.HARTING.sg](http://www.HARTING.sg)  
[www.HARTING.sk](http://www.HARTING.sk)  
[www.HARTING.com.tr](http://www.HARTING.com.tr)  
[www.HARTING.com.tw](http://www.HARTING.com.tw)  
[www.HARTING-USA.com](http://www.HARTING-USA.com)  
[www.HARTING.co.za](http://www.HARTING.co.za)