

Contents

	Page
Han-Fast® Lock	20.02
Han DD® Inserts with PCB adapter	20.04
Han E® Inserts with PCB adapter	20.06
Han® Q 4/2 Inserts with PCB adapter	20.08
Han® Q 5/0 Inserts with PCB adapter	20.10
Han® Q 7/0 Inserts with PCB adapter	20.12
Han® Q 8/0 Inserts with PCB adapter	20.14
Han® Q 12/0 Inserts with PCB adapter	20.16
Han-Modular® Inserts with PCB adapter	20.18
PCB Adapter for Han® DDD module	20.20
Applications	20.22

Features

- Solder free PCB termination
- PCB contact with locking element
- Stamped contact element
- Automatic crimping process compatible
- For use with different Han® connectors
- Cost-effective
- Easy handling
- Fast assembly to PCB
- Contacts with pin
 - Locking directly on the PCB
- Contacts without pin
 - Fast positioning with plastic adapter

Technical characteristics

Contact	
Material	Copper alloy
- Hard silver plated	3 µm Ag
Contact resistance	< 2 mΩ
Locking	
Material	Copper alloy
Surface finish	Passivation
Current 10 mm ² stranded wire	60 A
Voltage	Clearance and creepage distances have to be considered
Board density	t= 1.6 - 2.0 mm

Description

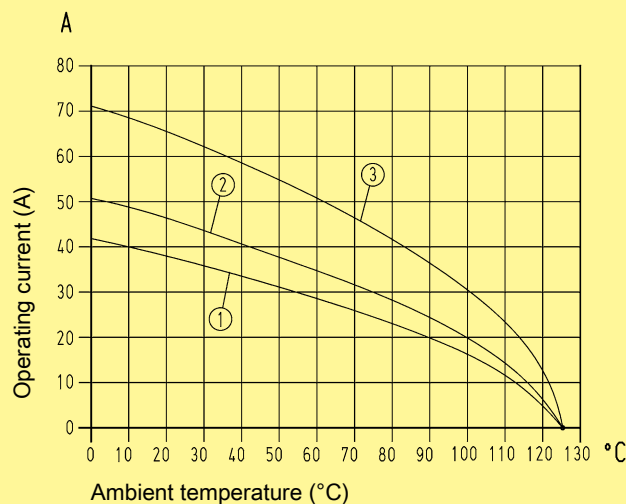
The new connection of wires to the PCB offers optimized PCB design, combined with outstanding contact qualities. The Han-Fast® Lock is flexible and allows a fast and simple PCB connection. The PCB has one drilled hole and a pad. The inner surface of the plated drilled hole serves as the interface. The Han-Fast® Lock is simply inserted into the plated through contact hole. The locking pin is pushed in and hence locks the contact into position. The solder free connection technique is easy to handle and to operate. Maintenance has been made simple with the facility to detach the contact. Han-Fast® Lock also supports SMD assembly of the PCB.

- Current up to 60 Amps
- Standard drilled hole with pad
- Position independent of connector
- Solder free PCB termination
- Easy locking solution
- Pull out force ≥ 340 N

Current carrying capacity

The current carrying capacity of the connectors is limited by the thermal load capability of the contact element material including the connections and the insulating parts. The derating curve is therefore valid for currents which flow constantly (non-intermittent) through each contact element of the connector evenly, without exceeding the allowed maximum temperature.

Measuring and testing techniques according to DIN EN 60 512-5-2



- ① Wire gauge: 4 mm²
- ② Wire gauge: 6 mm²
- ③ Wire gauge: 10 mm²



Identification	Part-Number	Drawing	Dimensions in mm
Contacts with pin on a reel 4.0 up to 6.0 mm ² 10.0 mm ²	09 08 000 6123 09 08 000 6124		
Contacts without pin on a reel 4.0 up to 6.0 mm ² 10.0 mm ²	09 08 000 6923 09 08 000 6924		
Further plated surfaces on request			
Single contacts with pin 4.0 up to 6.0 mm ² 10.0 mm ²	09 08 000 7123 09 08 000 7124		
Single contacts without pin 4.0 up to 6.0 mm ² 10.0 mm ²	09 08 000 7923 09 08 000 7924		
Further plated surfaces on request			

PCB termination

Features

- Robust design
- Suitable for standard and EMC housings
- Low wiring costs
- High contact density

Technical characteristics

Approvals



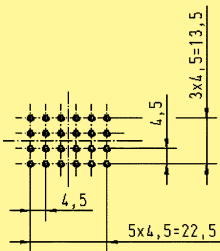
Electrical data	
acc. to EN 61 984	7.5 A 250 V 4 kV 3
Rated current	7.5 A
Rated voltage	250 V
Rated impulse voltage	4 kV
Pollution degree	3

Rated voltage	
acc. to UL/CSA	250 V

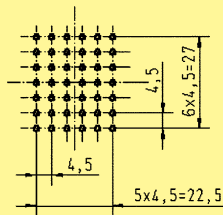
Insulation resistance	$\geq 10^{10} \Omega$
Material	polyamide
Limiting temperatures	-40 °C ... +125 °C
Flammability acc. to UL 94	HB

Layout of PCB

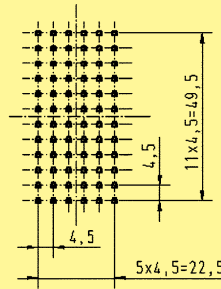
Han® 24 DD



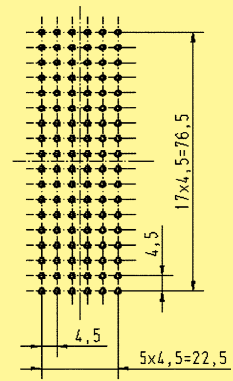
Han® 42 DD



Han® 72 DD

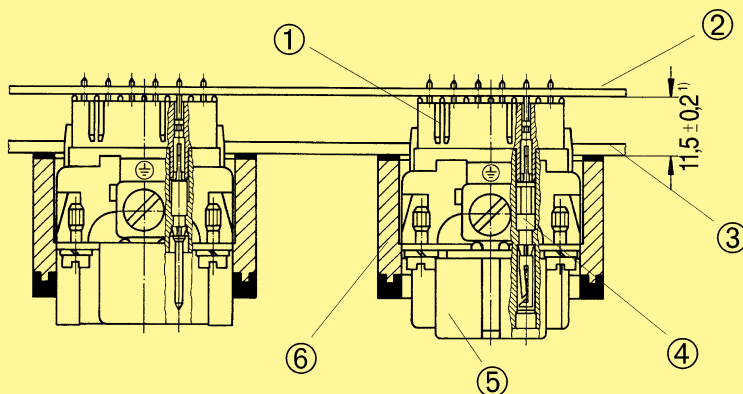


Han® 108 DD



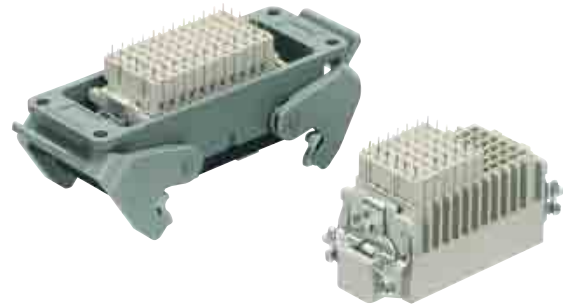
PCB termination

Assembly situation



- ① PCB adapter
- ② Printed circuit board (PCB)
- ③ Switch board panel
- ④ Han DD® double contact
- ⑤ Han DD® insert
- ⑥ Han® B bulkhead mounted housing

1) for Han® B EMC housings spacing of 12.5 ± 0.2 mm is necessary as no flange seal is used



insert	Size	Part number		Drawing	Dimensions in mm															
		Male insert (M)	Female insert (F)																	
Order contacts separately					<table border="1"> <thead> <tr> <th></th> <th>a</th> <th>b</th> </tr> </thead> <tbody> <tr> <td>24 DD</td> <td>44</td> <td>51</td> </tr> <tr> <td>42 DD</td> <td>57</td> <td>64</td> </tr> <tr> <td>72 DD</td> <td>77.5</td> <td>84.5</td> </tr> <tr> <td>108 DD</td> <td>104</td> <td>111</td> </tr> </tbody> </table>		a	b	24 DD	44	51	42 DD	57	64	72 DD	77.5	84.5	108 DD	104	111
	a	b																		
24 DD	44	51																		
42 DD	57	64																		
72 DD	77.5	84.5																		
108 DD	104	111																		
Han [®] 24 DD	6 B	09 16 024 3001	09 16 024 3101																	
Han [®] 42 DD	10 B	09 16 042 3001	09 16 042 3101																	
Han [®] 72 DD	16 B	09 16 072 3001	09 16 072 3101																	
Han [®] 108 DD	24 B	09 16 108 3001	09 16 108 3101																	

1) Distance for contact max. 21 mm

Han DD [®] double contact to connect the PCP-Adapter	Male contacts	Female contacts	Drawing	Dimensions in mm
	09 15 000 6191	09 15 000 6291		

PCB adapter	PCB thickness	Part number	Drawing	Dimensions in mm						
	1.6 mm 2.4 mm	09 16 000 9905 09 16 000 9908		<table border="1"> <thead> <tr> <th>Part number</th> <th>a</th> </tr> </thead> <tbody> <tr> <td>09 16 000 9905</td> <td>2.6</td> </tr> <tr> <td>09 16 000 9908</td> <td>3.4</td> </tr> </tbody> </table>	Part number	a	09 16 000 9905	2.6	09 16 000 9908	3.4
Part number	a									
09 16 000 9905	2.6									
09 16 000 9908	3.4									

PCB termination

Housings bulkhead mounting	Size	Part number	Drawing	Dimensions in mm																				
	6 B 10 B 16 B 24 B	09 30 006 0301 09 30 010 0301 09 30 016 0301 09 30 024 0301		<table border="1"> <thead> <tr> <th>Size</th> <th>a</th> <th>b</th> <th>Panel cut out</th> </tr> </thead> <tbody> <tr> <td>6 B</td> <td>70</td> <td>80</td> <td>48 x 35</td> </tr> <tr> <td>10 B</td> <td>83</td> <td>93</td> <td>60 x 35</td> </tr> <tr> <td>16 B</td> <td>103</td> <td>113</td> <td>82 x 35</td> </tr> <tr> <td>24 B</td> <td>130</td> <td>140</td> <td>108 x 35</td> </tr> </tbody> </table>	Size	a	b	Panel cut out	6 B	70	80	48 x 35	10 B	83	93	60 x 35	16 B	103	113	82 x 35	24 B	130	140	108 x 35
Size	a	b	Panel cut out																					
6 B	70	80	48 x 35																					
10 B	83	93	60 x 35																					
16 B	103	113	82 x 35																					
24 B	130	140	108 x 35																					

Size 6 B with 1 locking lever

Further informations see chapter 02 (Han D[®]/Han DD[®])

Stock items in bold type

Features

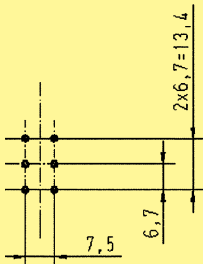
- Robust design
- Suitable for standard and EMC housings
- Low wiring costs
- Counter connector available with screw or crimp or cage clamp termination

Technical characteristics

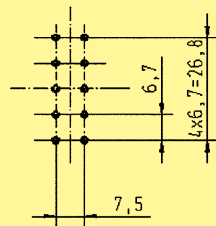
Electrical data connector acc. to EN 61 984	16 A 500 V 6 kV 3
Rated current	16 A
Rated voltage	500 V
Rated impulse voltage	6 kV
Pollution degree	3
Insulation resistance	≥ 10 ¹⁰ Ω
Material	polycarbonate
Limiting temperatures	-40 °C ... +125 °C
Flammability acc. to UL 94	V 0

Layout of PCB

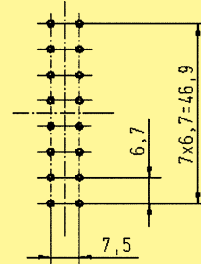
Han® 6 E



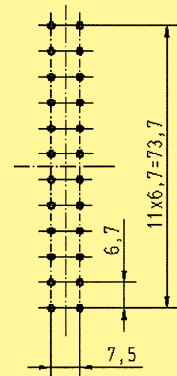
Han® 10 E



Han® 16 E

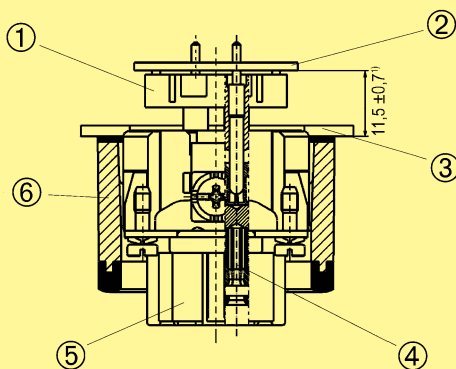


Han® 24 E



PCB termination

Assembly situation



- ① PCB adapter
- ② Printed circuit board (PCB)
- ③ Switch board panel
- ④ Han E® double contact
- ⑤ Han E® insert
- ⑥ Han® B bulkhead mounted housing

1) for Han® B EMC housings spacing of 12.5 ± 0.7 mm is necessary as no flange seal is used



insert	Size	Part number		Drawing	Dimensions in mm															
		Male insert (M)	Female insert (F)																	
Order contacts separately					<table border="1"> <thead> <tr> <th></th> <th>e</th> <th>f</th> </tr> </thead> <tbody> <tr> <td>6 E</td> <td>44</td> <td>51</td> </tr> <tr> <td>10 E</td> <td>57</td> <td>64</td> </tr> <tr> <td>16 E</td> <td>77.5</td> <td>84.5</td> </tr> <tr> <td>24 E</td> <td>104</td> <td>111</td> </tr> </tbody> </table>		e	f	6 E	44	51	10 E	57	64	16 E	77.5	84.5	24 E	104	111
	e	f																		
6 E	44	51																		
10 E	57	64																		
16 E	77.5	84.5																		
24 E	104	111																		
Han [®] 6 E	6 B	09 33 006 2602	09 33 006 2702																	
Han [®] 10 E	10 B	09 33 010 2602	09 33 010 2702																	
Han [®] 16 E	16 B	09 33 016 2602	09 33 016 2702																	
Han [®] 24 E	24 B	09 33 024 2602	09 33 024 2702																	

Han E [®] double contacts to connect the PCP-Adapter	Part number		Drawing	Dimensions in mm
	Male contacts	Female contacts		
	09 33 000 6180	09 33 000 6280		

PCB adapter	Part number	Drawing	Dimensions in mm
	09 33 000 9996		

PCB termination

Housings bulkhead mounting	Size	Part number	Drawing	Dimensions in mm																				
	6 B 10 B 16 B 24 B	09 30 006 0301 09 30 010 0301 09 30 016 0301 09 30 024 0301																						
			<table border="1"> <thead> <tr> <th>Size</th> <th>a</th> <th>b</th> <th>Panel cut out</th> </tr> </thead> <tbody> <tr> <td>6 B</td> <td>70</td> <td>80</td> <td>48 x 35</td> </tr> <tr> <td>10 B</td> <td>83</td> <td>93</td> <td>60 x 35</td> </tr> <tr> <td>16 B</td> <td>103</td> <td>113</td> <td>82 x 35</td> </tr> <tr> <td>24 B</td> <td>130</td> <td>140</td> <td>108 x 35</td> </tr> </tbody> </table>	Size	a	b	Panel cut out	6 B	70	80	48 x 35	10 B	83	93	60 x 35	16 B	103	113	82 x 35	24 B	130	140	108 x 35	
Size	a	b	Panel cut out																					
6 B	70	80	48 x 35																					
10 B	83	93	60 x 35																					
16 B	103	113	82 x 35																					
24 B	130	140	108 x 35																					

Size 6 B with 1 locking lever

Further informations see chapter 03 (Han E[®])

Features

- Robust Design
- Suitable for Han-Compact[®] hoods and housings
- Low wiring costs
- High contact density

Technical characteristics

Approvals



Electrical data

acc. to EN 61 984

Power area	30 A 400/690 V 6 kV 2
Rated current	30 A
Rated voltage conductor - ground	400 V
Rated voltage conductor - conductor	690 V
Rated impulse voltage	6 kV
Pollution degree	2
Signal area	7.5 A 250 V 4 kV 2
Rated current	7.5 A
Rated voltage	250 V
Rated impulse voltage	4 kV
Pollution degree	2

Insulation resistance $\geq 10^{10} \Omega$

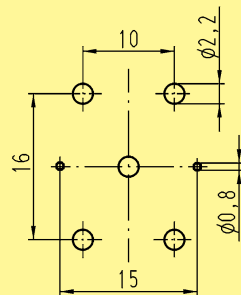
Material LCP

Limiting temperatures $-40 \text{ }^\circ\text{C} \dots +125 \text{ }^\circ\text{C}$

Flammability acc. to UL 94 V 0

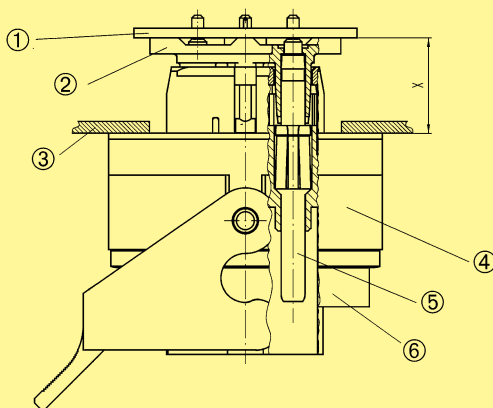
Layout of PCB

Dimensions in mm



PCB termination

Assembly situation



X = 16⁺¹ with signal contact or 16⁺² without signal contact

- ① Printed circuit board (PCB)
- ② PCB adapter
- ③ Switch board panel
- ④ Han-Compact[®] bulkhead mounted housing
- ⑤ Han[®] C double contact
- ⑥ Han[®] Q 4/2 insert



insert		Part number		Drawing	Dimensions in mm
		Male insert (M)	Female insert (F)		
<p>Order contacts separately</p>		09 12 006 3041	09 12 006 3141	<p>Contact arrangement (view from termination side)</p>	
<p>Double contacts</p> <p>to connect the PCP-Adapter</p> <p>Han® C double contacts Power contacts</p>		<p>Male contacts</p> <p>09 32 000 6180</p>	<p>Female contacts</p> <p>09 32 000 6280</p>	<p>Drawing</p>	<p>Dimensions in mm</p>
<p>Han D® double contacts Signal contacts</p>		<p>09 15 000 6191</p>	<p>09 15 000 6293</p>	<p>Drawing</p>	<p>Dimensions in mm</p>
<p>PCB adapter</p> <p>for PCBs up to 2.4 mm</p>		<p>Part number</p> <p>09 12 006 9901</p>		<p>Drawing</p>	<p>Dimensions in mm</p>
<p>Housings bulkhead mounting</p> <p>Thermoplastic</p>		<p>Part number</p> <p>09 12 008 0327</p>		<p>Drawing</p>	<p>Dimensions in mm</p>

PCB termination

Further informations see chapter 13 (Han® Q)

Features

- PCB adaptor for Han® Q 5/0
- Robust design
- Suitable only for EMC housings size Han® 3A
- Additional robust and secure PE-connection between housing and PCB

Technical characteristics

Approvals



Electrical data	
acc. to EN 61 984	10 A 230/400 V 4 kV 3
Rated current	10 A
Rated voltage conductor - ground	230 V
Rated voltage conductor - conductor	400 V
Rated impulse voltage	4 kV
Pollution degree	3

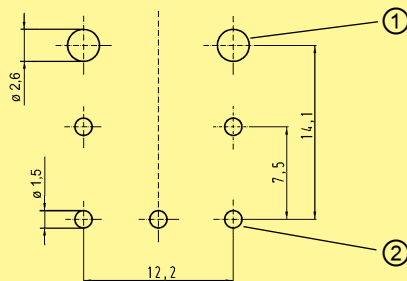
Pollution degree 2 also 10 A 320/500 V 4 kV 2

Rated voltage
acc. to UL/CSA 400 V

Insulation resistance $\geq 10^{10} \Omega$
 Material polycarbonate
 Limiting temperatures -40 °C ... +125 °C
 Flammability acc. to UL 94 V 0

Layout of PCB

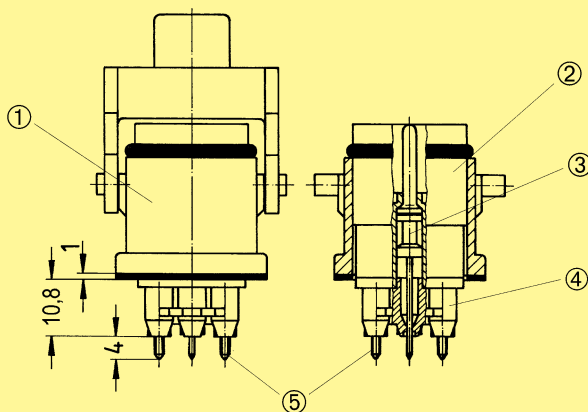
Dimensions in mm



- ① Recommended hole diameter: 2.6 mm
- ② Recommended hole diameter: 1.5 mm


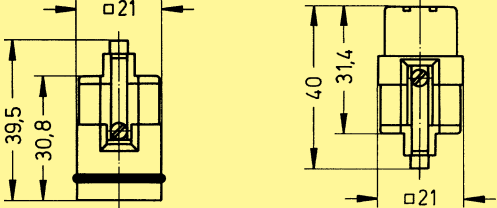

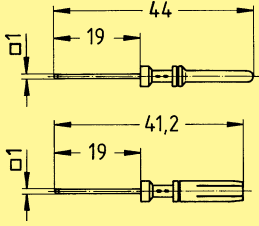
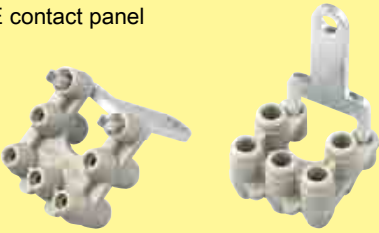
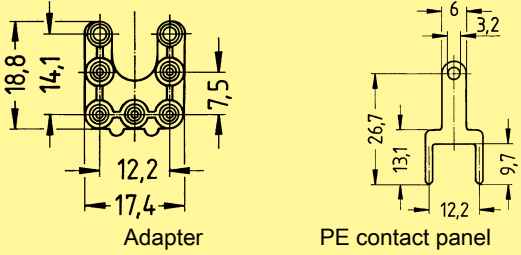

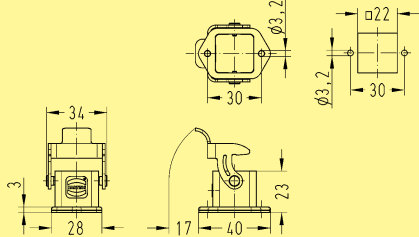
PCB termination

Assembly situation



- ① Han® 3 A bulkhead mounting housing
- ② Han® Q 5/0
- ③ Solder contacts
- ④ PCB adapter
- ⑤ Connection to printed circuit board



insert		Part number		Drawing	Dimensions in mm
	Male insert (M)	Female insert (F)			
Order contacts separately		09 12 005 3001	09 12 005 3101	 Distance for contact max. 21 mm	
Solder contacts to connect the PCP-Adapter		Part number		Drawing	Dimensions in mm
		Male contacts	Female contacts		
		09 33 000 6195	09 33 000 6295		
PCB adapter with PE contact panel		Part number		Drawing	Dimensions in mm
		09 12 000 9905			
				 Adapter PE contact panel	PCB termination
Housings bulkhead mounting		Part number		Drawing	Dimensions in mm
Metal		09 62 003 0304			
					

Further informations see chapter 13 (Han® Q)

Stock items in bold type

Features

- PCB adaptor for Han® Q 7/0
- Robust design
- Suitable for standard and EMC housings size Han® 3A
- High contact density

Technical characteristics

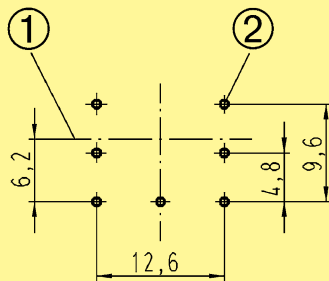
Approvals



Electrical data	
acc. to EN 61 984	7.5 A 250 V 4 kV 3
Rated current	7.5 A
Rated voltage	250 V
Rated impulse voltage	4 kV
Pollution degree	3
Insulation resistance	≥ 10 ¹⁰ Ω
Material	polycarbonate
Limiting temperatures	-40 °C ... +125 °C
Flammability acc. to UL 94	V 0

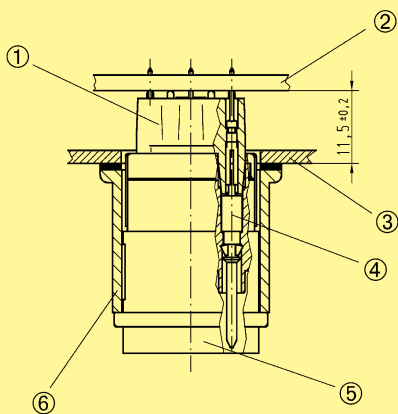
Layout of PCB

Dimensions in mm




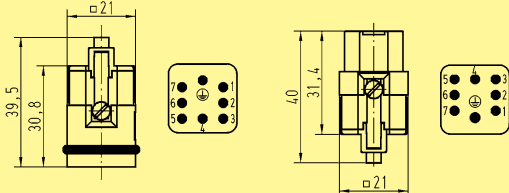

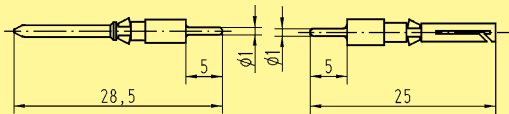
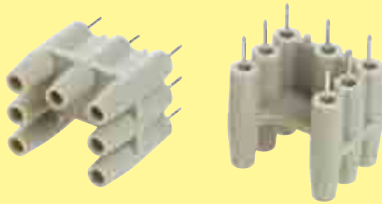

- ① Median plane of the housing
- ② Recommended hole diameter: 0.8 mm

Assembly situation



- ① PCB adapter
- ② Printed circuit board (PCB)
- ③ Switch board panel
- ④ Han D® double contact
- ⑤ Han® Q 7/0 Insert
- ⑥ Han® 3 A bulkhead mounting housing



insert		Part number		Drawing	Dimensions in mm
	Male insert (M)	Female insert (F)			
Order contacts separately		09 12 007 3001	09 12 007 3101		Contact arrangement (view from termination side)
Coding pins		09 12 000 9901	09 12 000 9902		
Han D® double contacts to connect the PCP-Adapter		Part number		Drawing	Dimensions in mm
	Male contacts	Female contacts			
		09 15 000 6190	09 15 000 6290		
PCB adapter for PCBs up to 2.4 mm		Part number		Drawing	Dimensions in mm
		09 12 000 9908			
Housings bulkhead mounting		Part number		Drawing	Dimensions in mm
		09 20 003 0301			

PCB termination

Further informations see chapter 13 (Han® Q)

Features

- Robust Design
- Suitable for Han-Compact[®] hoods and housings
- Low wiring costs
- High contact density

Technical characteristics

Approvals



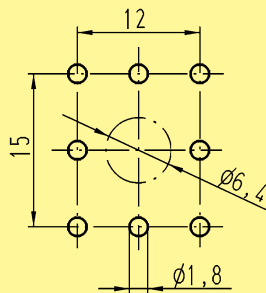
Electrical data

acc. to EN 61 984	16 A 230/400 V 4 kV 2
Rated current	16 A
Rated voltage conductor - ground	230 V
Rated voltage conductor - conductor	400 V
Rated impulse voltage	4 kV
Pollution degree	2

Insulation resistance	≥ 10 ¹⁰ Ω
Material	LCP
Limiting temperatures	-40 °C ... +125 °C
Flammability acc. to UL 94	V 0

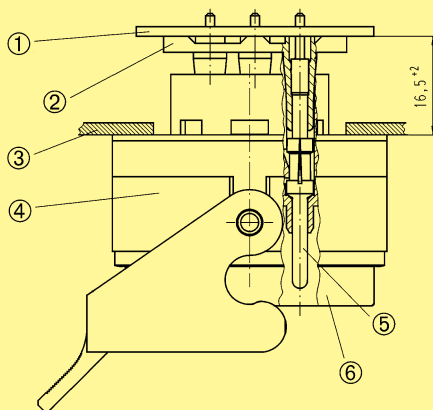
Layout of PCB

Dimensions in mm



PCB termination

Assembly situation



- ① Printed circuit board (PCB)
- ② PCB adapter
- ③ Switch board panel
- ④ Han-Compact[®] bulkhead mounted housing
- ⑤ Han E[®] double contact
- ⑥ Han[®] Q 8/0 Insert



insert		Part number		Drawing	Dimensions in mm
Order contacts separately		Male insert (M)	Female insert (F)		
		09 12 008 3001	09 12 008 3101		Contact arrangement (view from termination side)
Han E® double contacts		Part number		Drawing	Dimensions in mm
to connect the PCP-Adapter		Male contacts	Female contacts		
		09 33 000 6180	09 33 000 6280		
PCB adapter		Part number		Drawing	Dimensions in mm
for PCBs up to 1.6 mm		09 12 008 9901			
		09 12 008 9901			PCB termination
Housings bulkhead mounting		Part number		Drawing	Dimensions in mm
Thermoplastic		09 12 008 0327			
		09 12 008 0327			

Further informations see chapter 13 (Han® Q)

Stock items in bold type

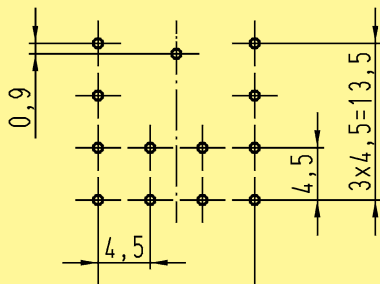
Features

- PCB adapter for Han® Q 12/0
- Robust design
- Suitable for bulkhead mounted housings, size Han® 3 A
- High contact density
- 12 contacts + PE to the PCB

Technical characteristics

Electrical data	
acc. to EN 61 984	7.5 A 250 V 4 kV 3
Rated current	7.5 A
Rated voltage	250 V
Rated impulse voltage	4 kV
Pollution degree	3
Insulation resistance	≥ 10 ¹⁰ Ω
Material	Polycarbonate
Limiting temperatures	-40 °C ... +125 °C
Flammability acc. to UL 94	V 0

Layout of PCB



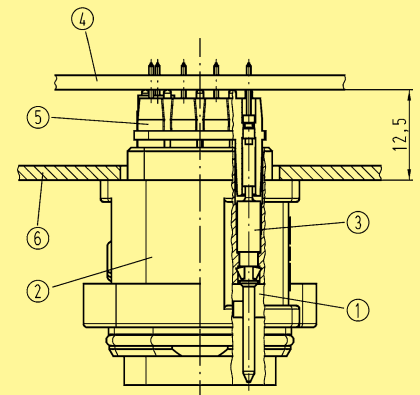
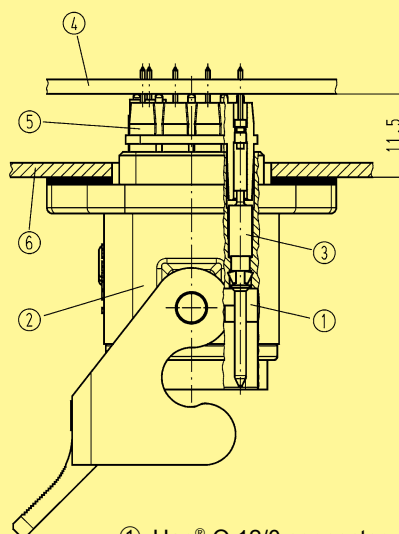
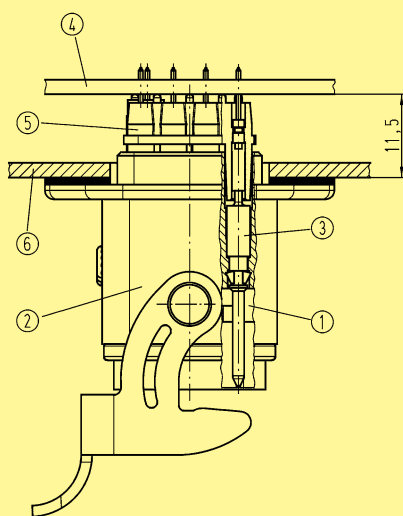
Dimensions in mm
Recommended hole diameter: 0.8 mm

Assembly situation

Han® 3 A Standard / EMC


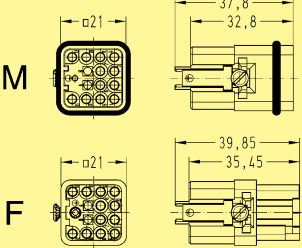

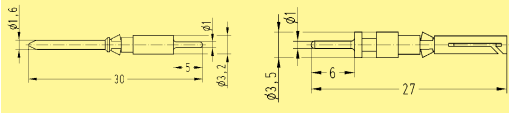
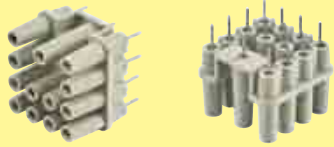
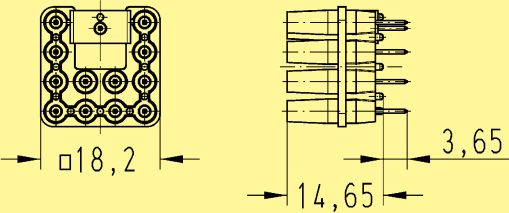

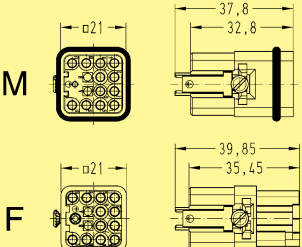
Han® 3 A plastic

Han® 3 A HPR



- ① Han® Q 12/0 connector
- ② Han® 3 A housing bulkhead mounting
- ③ R15-double contact
- ④ Printed circuit board (PCB)
- ⑤ PCB adapter
- ⑥ Switch board panel



Insert	Part number		Drawing	Dimensions in mm
	Male insert (M)	Female insert (F)		
for PCB adapter Order contacts separately 	09 12 012 3002	09 12 012 3102		
Part number				
Han D® double contacts	Male contacts	Female contacts	Drawing	Dimensions in mm
to connect the PCP-Adapter 	09 15 000 6191	09 15 000 6297		
Part number				
PCB adapter	Male insert (M)	Female insert (F)	Drawing	Dimensions in mm
for PCBs up to 2.4 mm 	09 12 012 9901	09 12 012 9901		PCB termination
Part number				
Insert	Male insert (M)	Female insert (F)	Drawing	Dimensions in mm
Standard for cable side Order contacts separately 	09 12 012 3001	09 12 012 3101		

Features

- Modular assembly
- Robust design
- Suitable for standard and EMC housings
- Low wiring costs

Technical characteristics

Han DD® module with PCB-Adapter

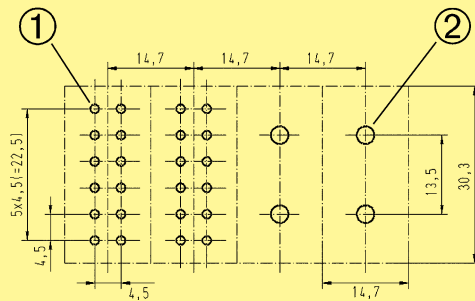
Electrical data	
acc. to EN 61 984	7.5 A 250 V 4 kV 3
Rated current	7.5 A
Rated voltage	250 V
Rated impulse voltage	4 kV
Pollution degree	3
Wire gauge	0.14 ... 2.5 mm ²

Han® 40 A module for PCB adaptations

Electrical data	
acc. to EN 61 984	40 A 500 V
Rated current	40 A
Rated voltage	500 V
Wire gauge	2.5 ... 10 mm ²

Layout of PCB

Dimensions in mm

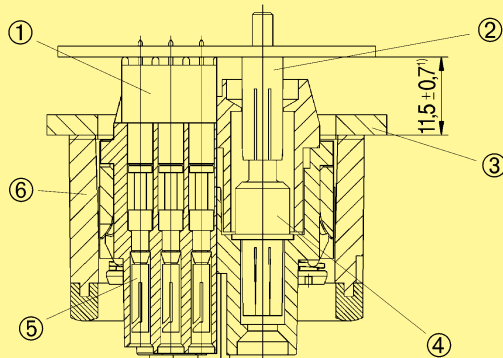


Han DD® module

Han® 40 A module

- ① Recommended hole diameter: 0.8 mm
- ② Recommended hole diameter: 3.2 mm

Assembly situation



- ① Han DD® PCB-adapter
- ② Han® C Solder contact
- ③ Switch board panel
- ④ Module for connection to printed circuit board
- ⑤ Han D® double contact
- ⑥ Han® B bulkhead mounted housing

1) for Han® B EMC housings spacing of 12.5 ± 0.7 mm is necessary as no flange seal is used

Identification	Size	Part number		Numbers of modules	Drawing	Dimensions in mm
		Marking A ... F	Marking a ... f			
	10 A	09 14 000 0304	09 14 000 0304	1	Drawings and further details see chapter 06	
	6 B	09 14 006 0303	09 14 006 0313	2		
	10 B	09 14 010 0303	09 14 010 0313	3		
	16 B	09 14 016 0303	09 14 016 0313	4		
	24 B	09 14 024 0303	09 14 024 0313	6		

Identification	Part number		Drawing	Dimensions in mm
	Male insert (M)	Female insert (F)		
Han DD® module PCB termination / crimp termination 	09 14 012 3001	09 14 012 3101		 Contact arrangement (view from termination side)

Han D® double contacts to connect the PCP-Adapter 	09 15 000 6191	09 15 000 6294	
---	-----------------------	----------------	--

Identification	PCB thickness	Part number	Drawing	Dimensions in mm						
PCB adapter 	1.6 mm 2.4 mm	09 16 000 9905 09 16 000 9908		<table border="1"> <thead> <tr> <th></th> <th>a</th> </tr> </thead> <tbody> <tr> <td>09 16 000 9905</td> <td>2.6</td> </tr> <tr> <td>09 16 000 9908</td> <td>3.4</td> </tr> </tbody> </table>		a	09 16 000 9905	2.6	09 16 000 9908	3.4
	a									
09 16 000 9905	2.6									
09 16 000 9908	3.4									

PCB termination

Identification	Part number		Drawing	Dimensions in mm
	Male insert (M)	Female insert (F)		
Han® 40 A module Axial screw termination Cable side PCB adapter Device side 	09 14 002 2601	09 14 002 2701		
	09 14 002 2603	09 14 002 2703		

Han® C Solder contact 	09 32 000 6295		
----------------------------------	-----------------------	--	--

Stock items in bold type

Features

- Modular construction
- Robust design
- Suitable for standard Han® and EMC hoods and housings
- Low wiring costs

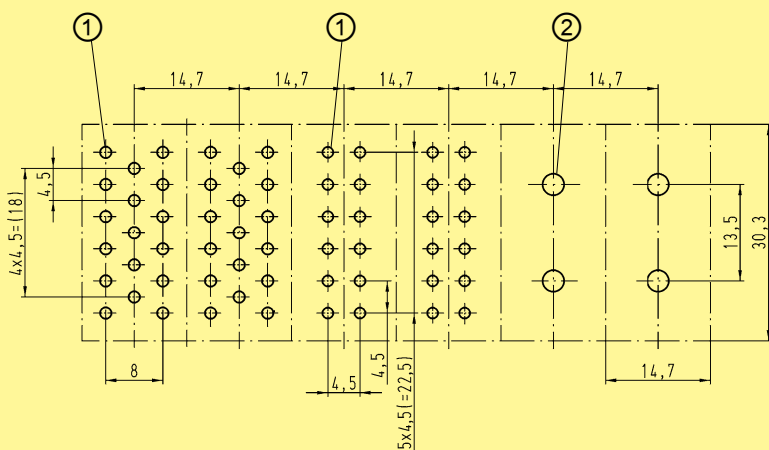
Technical characteristics

Han® DDD module with PCB adapter

Electrical data acc. to DIN EN 61 984	7.5 A 160 V 2.5 kV 3
Rated current	7.5 A
Rated voltage	160 V
Rated impulse voltage	2.5 kV
Pollution degree	3
Wire gauge	0.14 ... 2.5 mm ²

Layout of PCB

Dimensions in mm



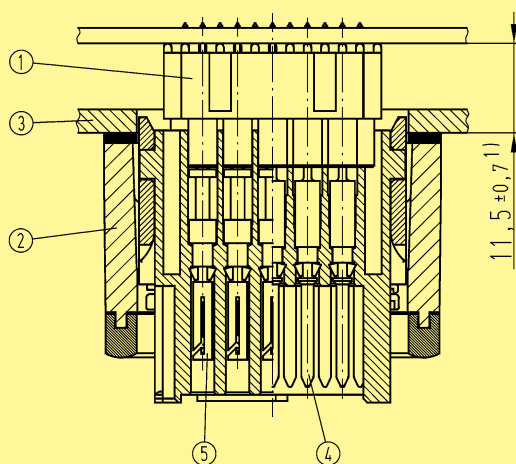
- ① Recommended hole diameter: 0.8 mm
- ② Recommended hole diameter: 3.2 mm

Han® DDD module Han® DD module Han® 70 A module

PCB termination

Assembly situation

Dimensions in mm


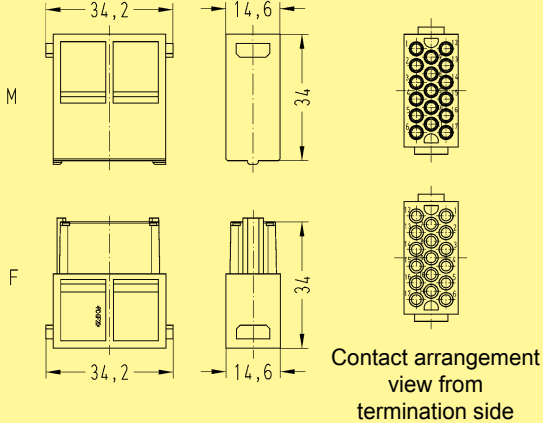

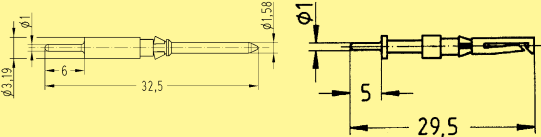

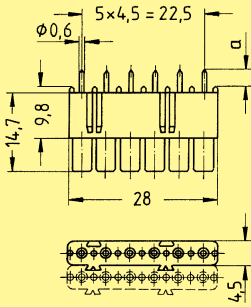

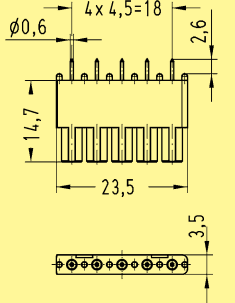
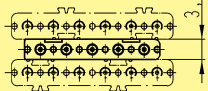


- ① Han DDD® PCB adapter 5 pins
- ② Han® B bulkhead mounted housing
- ③ Switch board panel
- ④ Han D® double male contact, 09 15 000 6197
- ⑤ Han D® double female contact, 09 15 000 6291

1) for Han® B EMV hood and housing spacing of 12.5 ± 0.7 mm is necessary as no flange seal is used.



5 pin PCB adapter

Identification	Part number		Drawing	Dimensions in mm
	Male insert (M)	Female insert (F)		
Han® DDD module PCB termination/ crimp termination Order crimp contacts separately 	09 14 017 3001	09 14 017 3101		
Han D® double contacts to connect PCB adapter only for Han® DDD male module 	09 15 000 6197	09 15 000 6291		
Identification	PCB thickness	Part number	Drawing	Dimensions in mm
PCB adapter 6 pins* 	1.6 mm	09 16 000 9905		
PCB adapter 5 pins* 	1.6 mm	09 16 000 9915		Contact arrangement for a fully equipped Han® DDD Module 

PCB termination

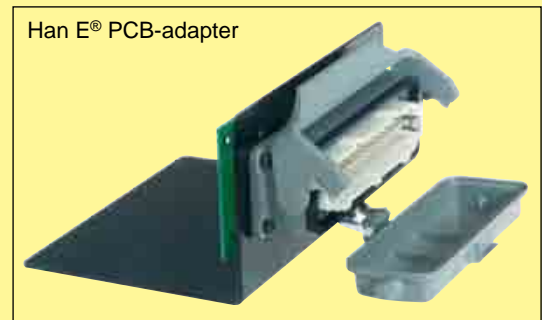
* For a 17 pin PCB termination with the Han® DDD module two 6 pin and one 5 pin PCB adapters are necessary.

Stock items in bold type

- Secondary mating between industrial connector and printed circuit board.
- No higher force is applied on the soldering joint when mating the industrial connector due to an additional matting point.
- No wiring between printed circuit board and industrial connector necessary.
- This no wiring faults → no testing, no costs
- Connecting times are minimized.
- Easy handling is time and cost saving.
- The production of mechanical and electrical / electronical components can be completely separated.
- Possibility to reach a higher degree of automation in the production (i. E. wave soldering of the PCBs).

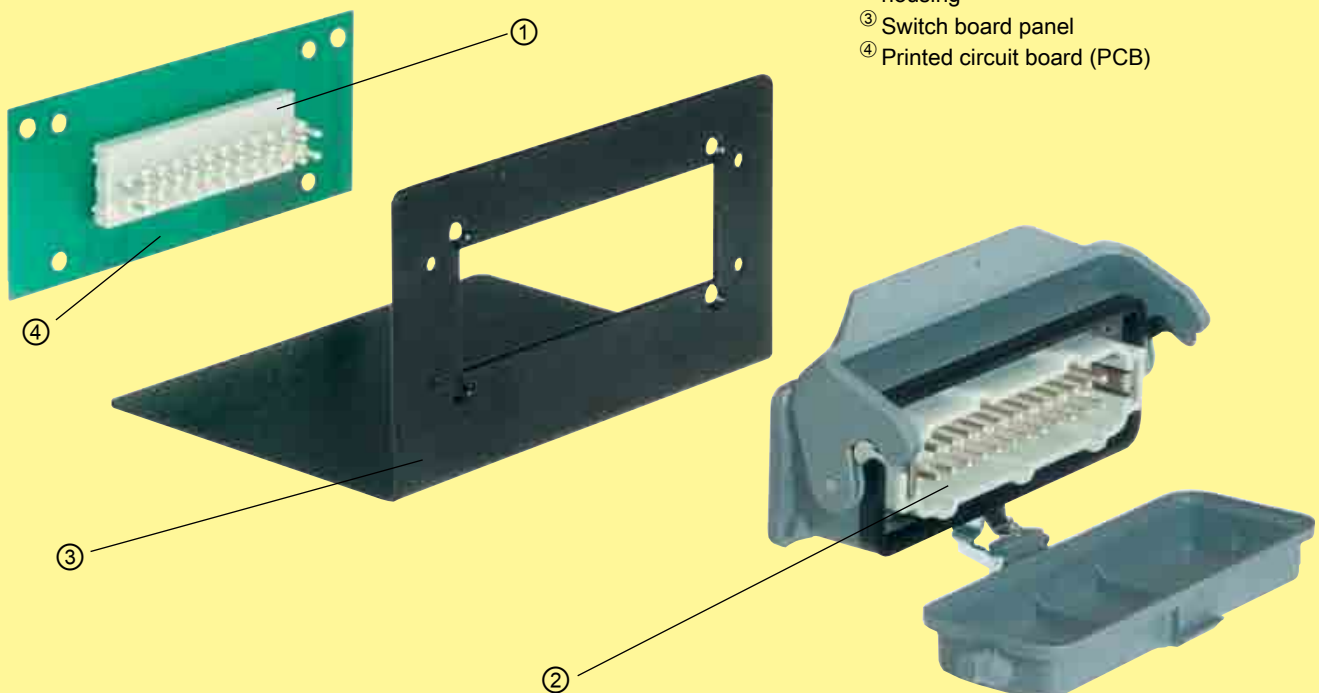


Han DD® and Han® Q 5/0 PCB-adapter
Wilhelm Fette GmbH, Germany



Han E® PCB-adapter

- ① PCB-adapter for Han E®
- ② Han E® connector in a bulkhead mounted housing
- ③ Switch board panel
- ④ Printed circuit board (PCB)



PCB
termination