

> DISTRIBUTION ASSEMBLIES



> VERSIONS



Distribution assemblies IP55
 - transportable
 - with SELV safety transformer 220/24V

> REFERENCE STANDARDS

EN 60439-1
 Low-voltage switchgear and control-gear assemblies (BT panels)
 Part 1: requirements for type-tested and partially type-tested assemblies.

EN 60439-4
 Low-voltage switchgear and control-gear assemblies (BT panels)
 Part 4: particular requirements for assemblies for construction sites.

> TECHNICAL CHARACTERISTICS

Rated current:	125A÷630A
Rated voltage:	400V~
Frequency:	50Hz
Insulating voltage:	400V~
Protection degree:	IP55
SELV transformer 220/24V:	Yes
Operating temperature according to the reference standard:	-25°C+40°C
Max operating temperature:	60°C
Glow Wire test:	650°C
Power output:	70KW÷375KW
Material:	Engineering plastic
Colour:	Grey RAL 9007

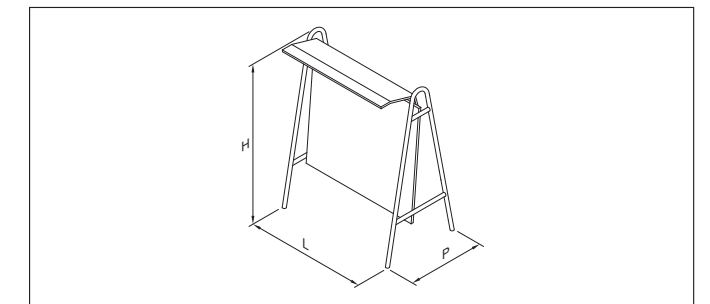
- Sturdy galvanized fire painted sheet iron.
- Fitted with a lifting device, handles on the side and a roof to protect it from rain or falling objects.
- The structure can be fastened to the ground (purposely fitted feet).
- Appropriate hooks are fitted at the back to carry the cables.

> BEHAVIOUR WITH CHEMICAL AND ATMOSPHERIC AGENTS

Saline solution	Acids		Bases		Solvents				Mineral oil	UV rays
	Concentrated	Diluted	Concentrated	Diluted	Hexane	Benzol	Acetone	Alcohol		
Resistant	Not Resistant	Not Resistant	Limited Resistance	Resistant	Not Resistant	Not Resistant	Not Resistant	Limited Resistance	Resistant	Resistant

> DIMENSIONS

TYPE	L	P	H
A	1050	760	1500
B	1190	872	1600
C	1810	872	1600



> APPLICATION EXAMPLES

