



1.4

## Switchgear

■ COMMAND Series

■ ISOLATORS Series

■ TOP22 Series



INDUSTRIAL  
1  
2  
3  
4

## SWITCHING-DISCONNECTORS UNITS

COMMAND Series

Description	Thermal current	Power dissipation per pole/contact	□				
				TYPE R (*) FRONT PANEL MTG	TYPE B (**) BOX MTG	TYPE B - BOX MTG WITH FUSE CARRIER	
16A	2P	30A	0,9W	1/6	590.YA162R	590.YA162B	590.YF162B
	3P	30A	0,9W	1/6	590.YA163R	590.YA163B	590.YF163B
	4P	30A	0,9W	1/6	590.YA164R	590.YA164B	590.YF164B
32A	2P	40A	1,6W	1/6	590.YA322R	590.YA322B	590.YF322B
	3P	40A	1,6W	1/6	590.YA323R	590.YA323B	590.YF323B
	4P	40A	1,6W	1/6	590.YA324R	590.YA324B	590.YF324B
40A	2P	40A	-	1/6	590.YA402R	590.YA402B	
	3P	40A	-	1/6	590.YA403R	590.YA403B	
	4P	40A	-	1/6	590.YA404R	590.YA404B	
63A	2P	63A	-	1/6	590.YA632R	590.YA632B	
	3P	63A	-	1/6	590.YA633R	590.YA633B	
	4P	63A	-	1/6	590.YA634R	590.YA634B	
80A	2P	86A	-	1/6	590.YA802R	590.YA802B	
	3P	86A	-	1/6	590.YA803R	590.YA803B	
	4P	86A	-	1/6	590.YA804R	590.YA804B	
100A	3P	100A	-	1/6	590.YA1003R	590.YA1003B	
	4P	100A	-	1/6	590.YA1004R	590.YA1004B	

(\*) Suitable as spare part for the SCAME OMNIA Series interlocked-switch socket outlets.

(\*\*) Suitable as spare part for the SCAME ISOLATORS Series and ADVANCE2 Series (only from 590.YA162B to 590.YA804B).

## SINGLE JUNCTION BOX

COMMAND Series



Description	Switch disconnectors	Type	Dimension (mm)	□
Suitable for	16A, 32A, 40A	ADVANCE2 Series IP65	136x150x105	6
Suitable for	16A, 32A, 40A	OMNIA2 Series IP67	136x125x85	6

R = Front panel mounting.  
B = Base mounting.

- Box provided for fitting of switch disconnectors (switching units and relevant front operators standard).

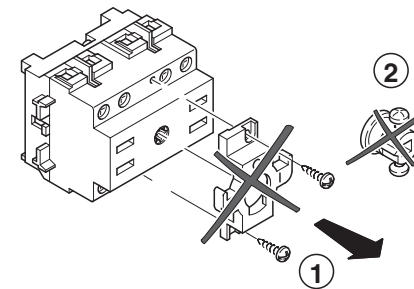
## DIRECT OPERATORS

COMMAND Series

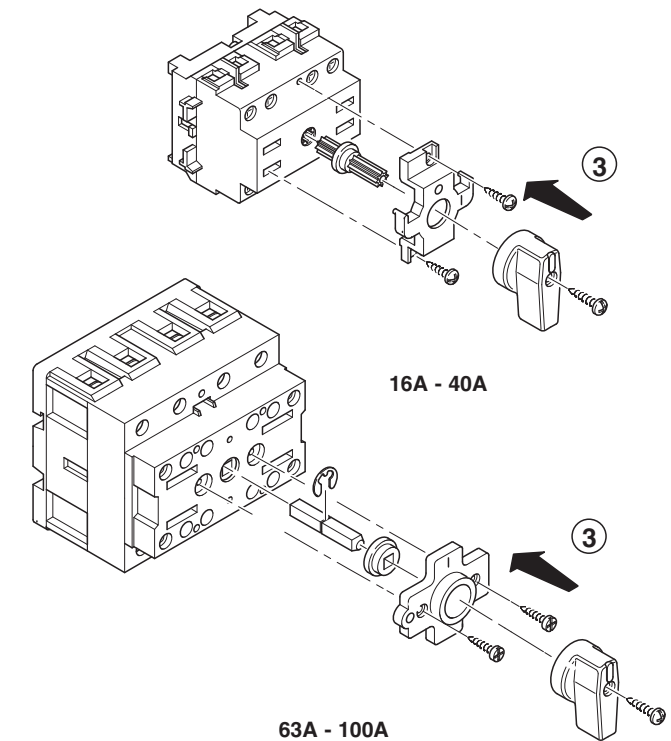
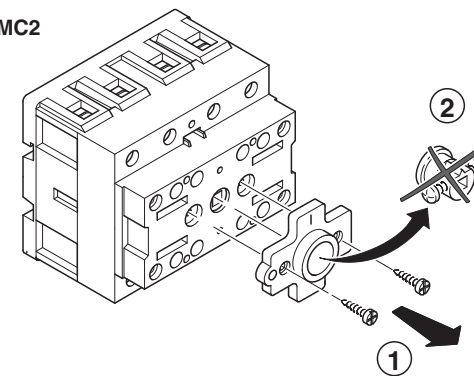


Description	Rotary switches	Colour	□
Suitable for B	16A, 32A, 40A	■	1/10
	63A, 80A, 100A	■	1/10

590.YMC1



590.YMC2



## FRONT OPERATORS - IP65

COMMAND Series

(•) 67x67mm



48x48mm



(•) 48x48mm



(•) 70x87mm



Description	Switch disconnectors	Knob	Front plate	□	STANDARD MTG	
					Ø22	Ø22
Suitable for R	16A, 32A, 40A			1/10	590.YM67R1	590.YM68R1
				1/10	590.YM67R2	590.YM68R2
Suitable for B with door interlock	16A, 32A, 40A			1/10	590.YM67B1	590.YM68B1
				1/10	590.YM67B2	590.YM68B2
Suitable for R	63A, 80A, 100A			1/10	590.YM67R6	
				1/10	590.YM67R7	
Suitable for B with door interlock	63A, 80A, 100A			1/10	590.YM67B6	590.YM68B6
				1/10	590.YM67B7	590.YM68B7

R = Front panel mounting.

B = Base mounting.

(•) Can be padlocked (max 3 padlocks) in the "O" position (open).

- For general use and emergency switches.

- Supplied with drive extension.

48x48mm		48x48mm		70x87mm	
STANDARD	Ø22	STANDARD	Ø22		
590.YM48R1	590.YM50R1	590.YM49R1	590.YM51R1	590.YM70R1	
590.YM48R2	590.YM50R2	590.YM49R2	590.YM51R2	590.YM70R2	
590.YM48B1	590.YM50B1	590.YM49B1	590.YM51B1		
590.YM48B2	590.YM50B2	590.YM49B2	590.YM51B2		
				590.YM70R6 (▲)	
				590.YM70R7 (▲)	

(▲) They can only be applied to slots that have clues for fastening encased sockets 32A.

## COMAND SWITCH FOR SWITCHBOARD SLOT

COMMAND Series



Rotary switches	Colour	□	
16A, 32A, 40A		1/10	590.YMDIN

## EXTENSION BAR FOR DOOR INTERLOCK

COMMAND Series

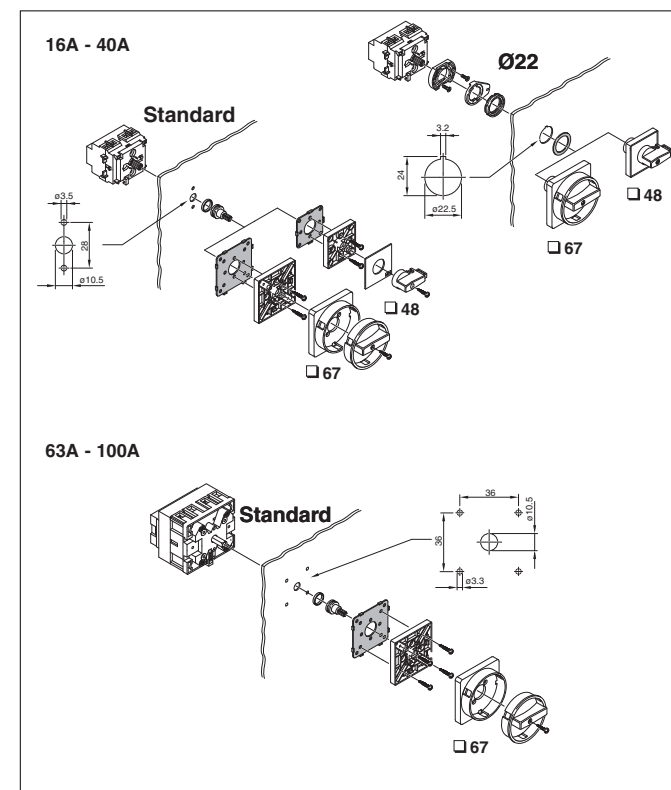


Description	Rotary switches	Length	Dimensions	□	
		85mm	5x5mm	1/10	590.YMA085
Suitable for B switch disconnectors	16A, 32A, 40A	185mm	5x5mm	1/10	590.YMA185
		300mm	5x5mm	1/10	590.YMA300
		85mm	6x6mm	1/10	590.YMB085
	63A, 80A, 100A	185mm	6x6mm	1/10	590.YMB185
		300mm	6x6mm	1/10	590.YMB300

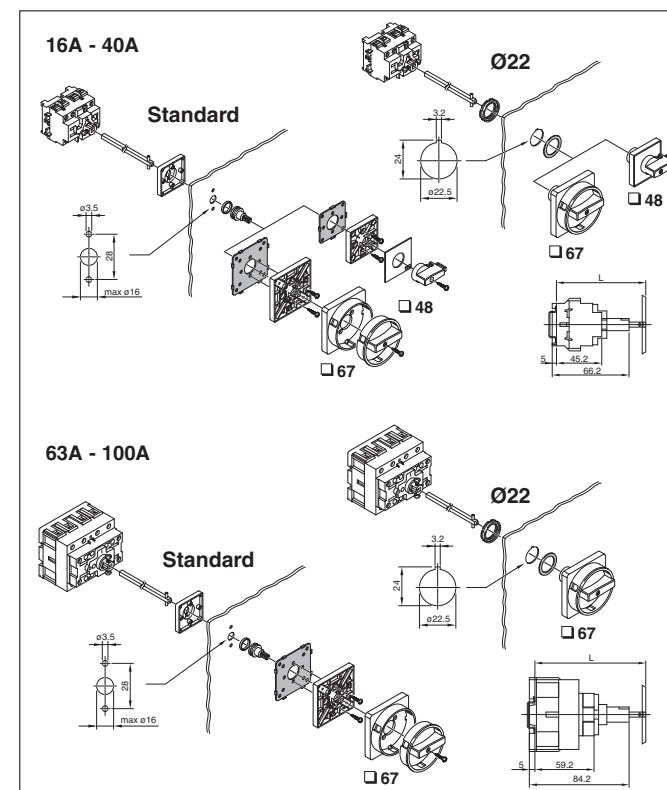
R = Front panel mounting.

B = Base mounting.

### R: front panel mounting



### B: base mounting



## ■ SURFACE MOUNTING - ENGINEERING PLASTIC VERSION

ISOLATORS Series

Poles	Enclosure dimensions (mm)	Protection degree	☐	GENERAL USE		EMERGENCY SWITCHING		GENERAL USE		EMERGENCY SWITCHING	
				■	□	■	□	■	□	■	□
16A	6	136x125x84	IP65	1/12	590.EM1606		590.GE1606				
	8				590.EM1608		590.GE1608				
20A	1	82x120x69	IP65	1/12	590.GE2021						
	2	136x125x84 (*)	IP65	1/12	590.EM2002		590.GE2002				
	3				590.EM2003		590.GE2003				
	4				590.EM2004		590.GE2004				
2	590.EM2012				590.GE2012						
25A	3	105x150x82	IP65	1/12	590.EM2013		590.GE2013				
	4	590.EM2014		590.GE2014							
	6	136x125x84	IP65	1/12	590.EM2506		590.GE2506				
	8				590.EM2508		590.GE2508				
32A	1	82x120x69	IP65	1/12	590.GE3221						
	2	136x125x84 (*)	IP65	1/12	590.EM3202		590.GE3202				
	3				590.EM3203		590.GE3203				
	4				590.EM3204		590.GE3204				
	6				590.EM3206		590.GE3206				
	8	590.EM3208		590.GE3208							
	2	590.EM3212		590.GE3212							
	3	105x150x82	IP65	1/12	590.EM3213		590.GE3213				
4	590.EM3214		590.GE3214								
40A	1	82x120x69	IP65	1/12	590.GE4021						
	2	136x125x84 (*)	IP65	1/12	590.EM4002		590.GE4002				
	3				590.EM4003		590.GE4003				
	4				590.EM4004		590.GE4004				
	6				590.EM4006		590.GE4006				
	8	590.EM4008		590.GE4008							
	2	590.EM4012		590.GE4012							
	3	105x150x82	IP65	1/12	590.EM4013		590.GE4013				
	4	590.EM4014		590.GE4014							

(▲) Single pole switch, not suitable to receive door-locking kit.  
 (\*) OMNIA Series enclosure.

Poles	Enclosure dimensions (mm)	Protection degree	☐	EMERGENCY SWITCHING		GENERAL USE		EMERGENCY SWITCHING		GENERAL USE	
				■	□	■	□	■	□	■	□
63A	2	210x155x107	IP65	1/5	590.EM6302		590.GE6302				
	3				590.EM6303		590.GE6303				
	4				590.EM6304		590.GE6304				
80A	6	210x155x107	IP65	1/5	590.EM6306		590.GE6306				
	8				590.EM6308		590.GE6308				
	2				590.EM8002		590.GE8002				
	3				590.EM8003		590.GE8003				
100A	4	210x155x107	IP65	1/5	590.EM8004		590.GE8004				
	6				590.EM8006		590.GE8006				
	8				590.EM8008		590.GE8008				
	3				590.EM10003		590.GE10003				
125A	4	308x228x128	IP55	1/5	590.EM10004		590.GE10004				
	6				590.EM10006		590.GE10006				
	8				590.EM10008		590.GE10008				
	3				590.EM12503		590.GE12503				
160A	4	338x308x128	IP55	1/5	590.EM12504		590.GE12504				
	6				590.EM12506		590.GE12506				
	8				590.EM12508		590.GE12508				
	3				590.EM16003		590.GE16003				
63A	4	338x308x128	IP55	1/5	590.EM16004		590.GE16004				
	6				590.EM16006		590.GE16006				
	8				590.EM16008		590.GE16008				

## ■ SURFACE MOUNTING - ENGINEERING PLASTIC VERSION - DIRECT CURRENT

ISOLATORS Series

Poles	Voltage	Type	EMERGENCY SWITCHING		GENERAL USE	
			■	□	■	□
20A	800V	dc	590.DCEM0820		590.DCGE0820	
	1000V	dc	590.DCEM1020		590.DCGE1020	
25A	800V	dc	590.DCEM0825		590.DCGE0825	
	800V	dc	590.DCEM0830		590.DCGE0830	
30A	1000V	dc	590.DCEM1030		590.DCGE1030	
	800V	dc	590.DCEM0840		590.DCGE0840	
63A	1000V	dc	590.DCEM1063		590.DCGE1063	

INDUSTRIAL 1 2 3 4



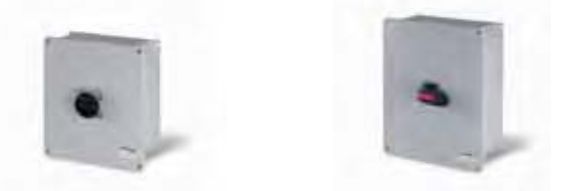
## ■ SURFACE MOUNTING - METAL VERSION

ISOLATORS Series

INDUSTRIAL 1 2 3 4



	Poles	Enclosure dimensions (mm)	Protection degree	□	EMERGENCY SWITCHING		GENERAL USE	
					■	■	■	■
16A	6	105x150x82	IP65	1/12	590.HEM1606	590.HGE1606		
	8				590.HEM1608	590.HGE1608		
20A	2	105x150x82	IP65	1/12	590.HEM2002	590.HGE2002		
	3				590.HEM2003	590.HGE2003		
	4				590.HEM2004	590.HGE2004		
	6				590.HEM2506	590.HGE2506		
25A	8	105x150x82	IP65	1/12	590.HEM2508	590.HGE2508		
	2				590.HEM3202	590.HGE3202		
32A	3	105x150x82	IP65	1/12	590.HEM3203	590.HGE3203		
	4				590.HEM3204	590.HGE3204		
	6				590.HEM3206	590.HGE3206		
	8				590.HEM3208	590.HGE3208		
	2				590.HEM4002	590.HGE4002		
	3				590.HEM4003	590.HGE4003		
40A	4	105x150x82	IP65	1/12	590.HEM4004	590.HGE4004		
	6				590.HEM4006	590.HGE4006		
	8				590.HEM4008	590.HGE4008		
	2					590.HEM6302	590.HGE6302	
63A	3	150x210x106	IP65	1/5			590.HEM6303	590.HGE6303
	4				590.HEM6304	590.HGE6304		
	6				590.HEM6306	590.HGE6306		
	8				590.HEM6308	590.HGE6308		
80A	2	150x210x106	IP65	1/5			590.HEM8002	590.HGE8002
	3						590.HEM8003	590.HGE8003
	4				590.HEM8004	590.HGE8004		
	6				590.HEM8006	590.HGE8006		
100A	8	150x210x106	IP65	1/5			590.HEM8008	590.HGE8008
	3						590.HEM10003	590.HGE10003
	4				590.HEM10004	590.HGE10004		
	6				590.HEM10006	590.HGE10006		
	8				590.HEM10008	590.HGE10008		

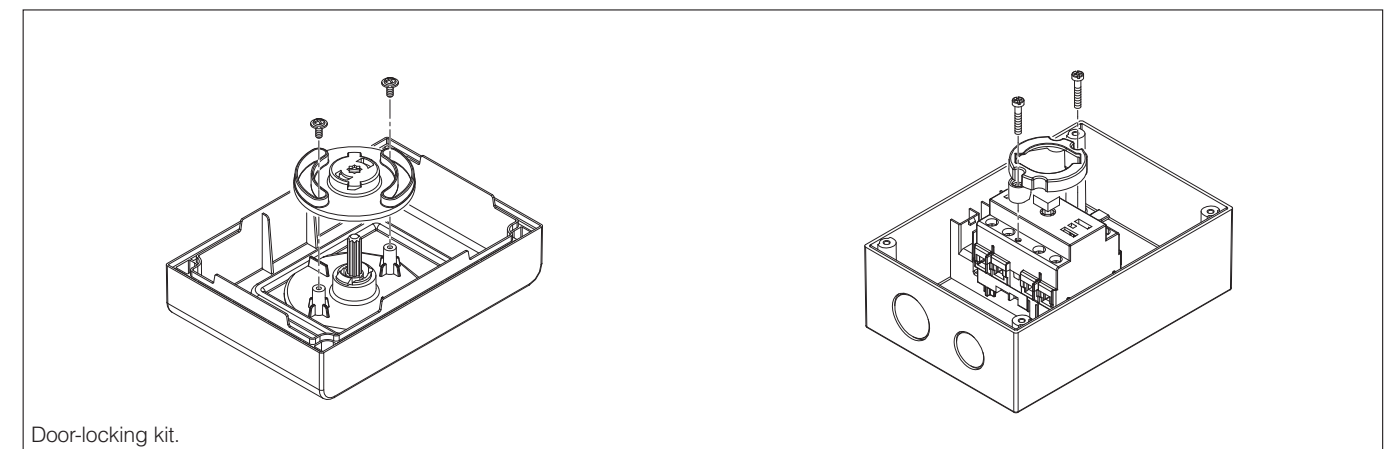


	Poles	Enclosure dimensions (mm)	Protection degree	□	EMERGENCY SWITCHING		GENERAL USE	
					■	■	■	■
125A	3	315x264x122	IP65	1/5	590.HEM12503	590.HGE12503		
	4				590.HEM12504	590.HGE12504		
	6				590.HEM12506	590.HGE12506		
	8				590.HEM12508	590.HGE12508		
160A	3	410x315x150	IP65	1			590.HEM16003	590.HGE16003
	4						590.HEM16004	590.HGE16004
	6						590.HEM16006	590.HGE16006
	8						590.HEM16008	590.HGE16008

## ■ DOOR-LOCKING KIT

ISOLATORS Series

Description	Rotary switches	□	Image	Part number
Suitable for engineering plastic enclosure	20A, 32A, 40A	1/12		590.BK040
	63A, 80A	1/5		590.BK080
Suitable for metal enclosure	20A, 32A, 40A	1/12		590.BK040H
	63A, 80A	1/5		590.BK080H



Door-locking kit.

INDUSTRIAL

## ■ SURFACE MOUNTING - ENGINEERING PLASTIC VERSION - ATEX

ISOLATORS-EX Series



Poles	Enclosure dimensions (mm)	Protection degree	□	EMERGENCY SWITCHING		GENERAL USE	
				■	■	■	■
20A	115x190x128	IP66	1/12	■	■	■	■
				590.XEM2002	590.XGE2002	590.XEM2003	590.XGE2002
				590.XEM2004	590.XGE2004		
32A	115x190x128	IP66	1/12	■	■	■	■
				590.XEM3202	590.XGE3202	590.XEM3203	590.XGE3203
				590.XEM3204	590.XGE3204		
40A	115x190x128	IP66	1/12	■	■	■	■
				590.XEM4002	590.XGE4002	590.XEM4003	590.XGE4003
				590.XEM4004	590.XGE4004		

## ■ SURFACE MOUNTING - METAL VERSION - ATEX

ISOLATORS-EX Series



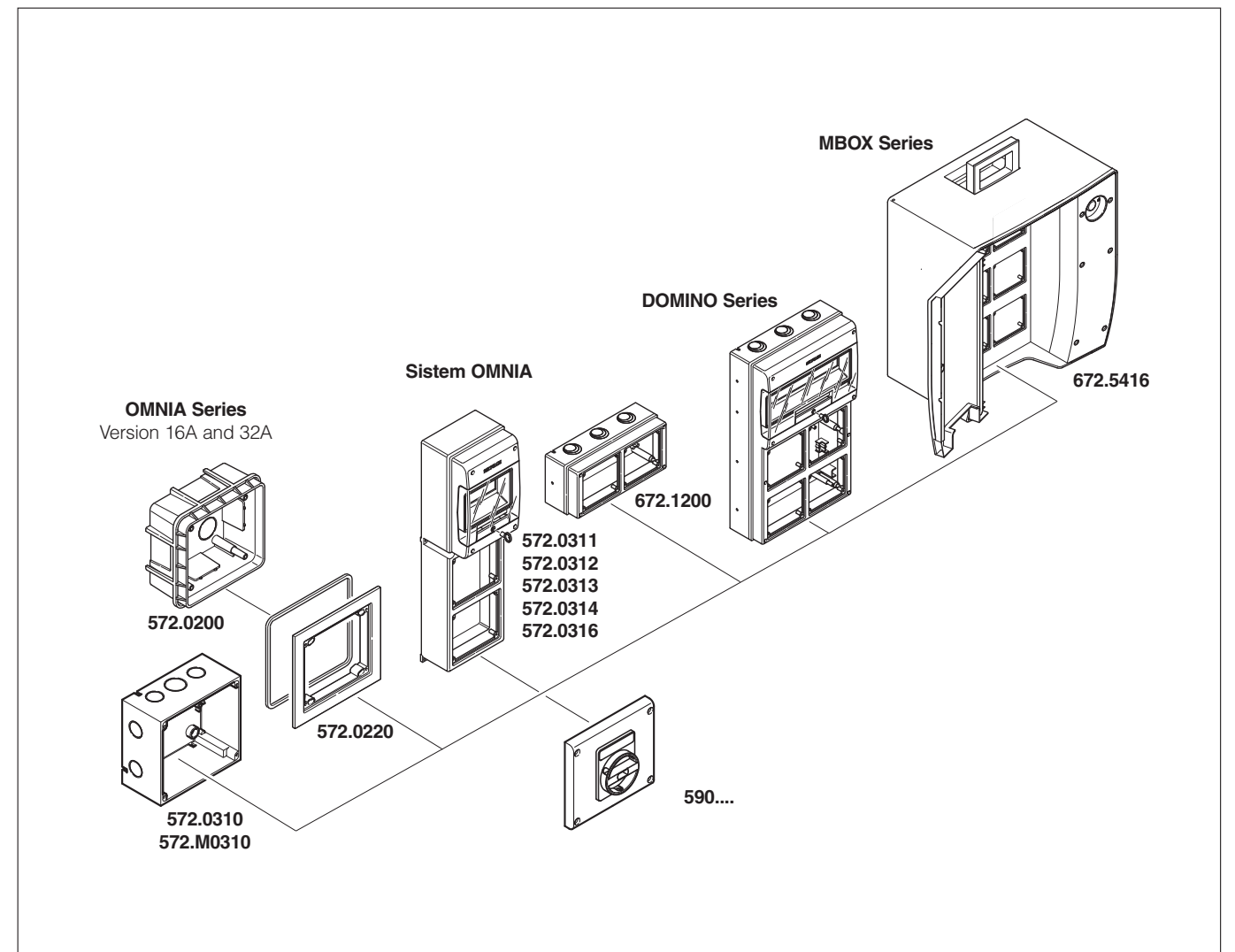
Poles	Enclosure dimensions (mm)	Protection degree	□	EMERGENCY SWITCHING		GENERAL USE	
				■	■	■	■
20A	105x150x82	IP65	1/12	■	■	■	■
				590.XHEM2002	590.XHGE2002	590.XHEM2003	590.XHGE2003
				590.XHEM2004	590.XHGE2004		
32A	105x150x82	IP65	1/12	■	■	■	■
				590.XHEM3202	590.XHGE3202	590.XHEM3203	590.XHGE3203
				590.XHEM3204	590.XHGE3204		
40A	105x150x82	IP65	1/12	■	■	■	■
				590.XHEM4002	590.XHGE4002	590.XHEM4003	590.XHGE4003
				590.XHEM4004	590.XHGE4004		
63A	150x210x106	IP65	1/5	■	■	■	■
				590.XHEM6302	590.XHGE6302	590.XHEM6303	590.XHGE6303
				590.XHEM6304	590.XHGE6304		

## ■ SURFACE MOUNTING - ENGINEERING PLASTIC VERSION

ISOLATORS Series



Poles	Enclosure dimensions (mm)	Protection degree	□	EMERGENCY SWITCHING		GENERAL USE	
				■	■	■	■
20A	136x125	IP65	1/12	■	■	■	■
				590.ER2002	590.GR2002	590.ER2003	590.GR2003
				590.ER2004	590.GR2004		
32A	136x125	IP65	1/12	■	■	■	■
				590.ER3202	590.GR3202	590.ER3203	590.GR3203
				590.ER3204	590.GR3204		



## Ø22mm PUSH BUTTONS

TOP22 Series



Description	Colour	☐	
Flush button		10	590.PPRN1
		10	590.PPRN2
		10	590.PPRN5
Protruding button		10	590.PPRN8
		10	590.PPSN1
		10	590.PPSN8
Illuminated flush button		10	590.PPRL2
		10	590.PPRL5

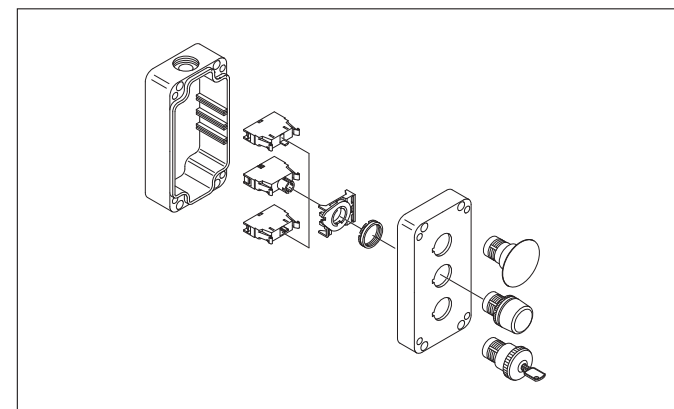
- Fixing by metal ring nut-hole diameter 22mm.
- Provided with contact carrier base plate.
- Clamping of the baseplate to the equipment by swing lever.

## MUSHROOM-HEAD EMERGENCY PUSH BUTTONS

TOP22 Series



Description	Mushroom-head diameter (mm)	Colour	☐	
Release by key	Ø40		10	590.PPFN1C4N
Without (temporary) locking	Ø40		10	590.PPFN1M4N
Release by rotation	Ø40		10	590.PPFN1R4N
Release by rotation	Ø60		10	590.PPFN1R6N



Assembling of the ø22 unit on suitable panelboards.

## LEVER SELECTORS

TOP22 Series



Description	Rotation angle	Colour	☐	
2 steady positions	90°		10	590.PSLN8D0
3 steady positions	2x90°		10	590.PSLN8T0
2 pulse positions	60°		10	590.PSLN8D2
3 pulse positions	2x60°		10	590.PSLN8T3

## KEY SELECTORS

TOP22 Series



Description	Rotation angle	Colour	☐	
2 steady positions	90°		10	590.PSCR8D0C
3 steady positions	2x90°		10	590.PSCR8T0C

- Key drawing when on "zero" position.

## ENBLOC PILOT LAMPS

TOP22 Series



Description	Bulb coupling	Colour	⊞		
Pilot lamp	Ø22	E10		10	<b>590.PLML1</b>
				10	<b>590.PLML2</b>
				10	<b>590.PLML3</b>
				10	<b>590.PLML4</b>
				10	<b>590.PLML5</b>

- Electric bulb not included.  
- Maximum power supply voltage 250V~.

- Max 2W bulbs.

## AUXILIARY CONTACT

TOP22 Series



Description	⊞	
NC contact	10	<b>590.PL004001</b>
NA contact	10	<b>590.PL004002</b>
Power supply unit for pilot lamp (*)	10	<b>590.PL004007</b>

NO= normally open.  
NC= normally closed.

(\*) Maximum direct power supply 250V with max 2W bulbs.

- Snap catch.

- The contacts may also be used as auxiliary equipments for SCAME operation switch disconnectors 16A, 20A and 32A.

## ACCESSORIES

TOP22 Series



Description	⊞		
Black cap for Ø 22mm holes	10	<b>590.PTRN8</b>	
Black holder for rectangular labels	10		<b>590.PPTN8</b>
Rectangular blank label	10		<b>590.PTA00</b>



Description	⊞		
Ø 60mm yellow emergency marker	10		<b>590.PTE/I</b>
Pin wrench for ring nuts and bulb drawing	10		<b>590.PCF</b>






Description	Colour	⊞		
Plate for panel cut-out for TOP22 Series components	1 gang		25	<b>654.0101</b>
	1 gang		25	<b>654.0101Y</b>
	2 gang		25	<b>654.0102</b>

- With gasket for IP66.



## ENCLOSURES - IP65



TOP22 Series

Description	Cable entry			
1 gang	M16 - M20	1/12		<b>590.PR01K</b>
2 gang	2xM20	1/10		<b>590.PR02K</b>
3 gang	2xM20	1/10		<b>590.PR03K</b>

- Empty enclosures for Auxiliary control equipment.

## COMPLETE PUSH-BUTTON PANEL - IP65



TOP22 Series




Description	Contact	Cable entry		
1 gang 1 black push button	1NA	M16 - M20	12	 <b>590.PR01RN8</b>
2 gang 1 green flush button (star) 1 red flush button (stop)	1NA 1NC	2xM20	10	 <b>590.PR02A</b>
3 gang 1 green flush button (star) 1 red flush button (stop) 1 red indicator lamp (indicator)	1NA 1NC	2xM20	10	 <b>590.PR03A</b>

NO= normally open.  
NC= normally closed.  
- Enclosures complete with control and indicator lamp.

## EMERGENCY - IP65

TOP22 Series

Description	Mushroom-head (mm)	Cable entry		
1 gang - twist release with indicator	Ø40	M16 - M20	12	 <b>590.PR01R4S</b>
1 gang - key release	Ø40	M16 - M20	12	 <b>590.PR01C4N</b>

Description	Mushroom-head (mm)	Cable entry		
1 gang - twist release	Ø40	M16 - M20	12	 <b>590.PR01R4N</b>
	Ø60	M16 - M20	12	 <b>590.PR01R6N</b>
1 gang - momentary (•)	Ø90	M20	12	 <b>590.PG1M9W01</b>

- Mushroom push-buttons for emergency stop.  
- Supplied with 1 NC contact block.  
(•) Spring terminals.

 1 INDUSTRIAL  
2  
3  
4
